

OBJECTIVES

- *Become familiar with the flux linkages that exist between the coils of a transformer and how the voltages across the primary and secondary are established.*
- *Understand the operation of an iron-core and air-core transformer and how to calculate the currents and voltages of the primary and secondary circuits.*
- *Be aware of how the transformer is used for impedance matching purposes to ensure a high level of power transfer.*
- *Become aware of all the components that make up the equivalent circuit of a transformer and how they affect its performance and frequency response.*
- *Understand how to use and interpret the dot convention of mutually coupled coils in a network.*

22.1 INTRODUCTION

Chapter 11 discussed the *self-inductance* of a coil. We shall now examine the **mutual inductance** that exists between coils of the same or different dimensions. Mutual inductance is a phenomenon basic to the operation of the *transformer*; an electrical device used today in almost every field of electrical engineering. This device plays an integral part in power distribution systems and can be found in many electronic circuits and measuring instruments. In this chapter, we discuss three of the basic applications of a transformer: to build up or step down the voltage or current, to act as an impedance matching device, and to isolate (no physical connection) one portion of a circuit from another. In addition, we will introduce the **dot convention** and will consider the transformer equivalent circuit. The chapter concludes with a word about writing mesh equations for a network with mutual inductance.

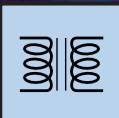
22.2 MUTUAL INDUCTANCE

A transformer is constructed of two coils placed so that the changing flux developed by one links the other, as shown in Fig. 22.1. This results in an induced voltage across each coil. To distinguish between the coils, we will apply the transformer convention that

the coil to which the source is applied is called the primary, and the coil to which the load is applied is called the secondary.

For the primary of the transformer in Fig. 22.1, an application of Faraday's law [Eq. (11.9)] results in

$$e_p = N_p \frac{d\phi_p}{dt} \quad (\text{volts, V}) \quad (22.1)$$



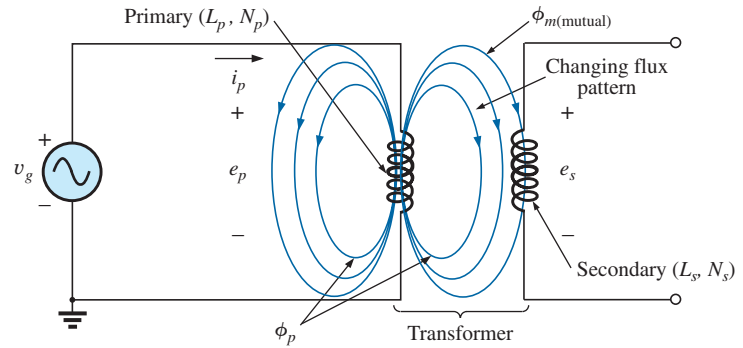


FIG. 22.1

Defining the components of a transformer.

revealing that the voltage induced across the primary is directly related to the number of turns in the primary and the rate of change of magnetic flux linking the primary coil. Or, from Eq. (11.11),

$$e_p = L_p \frac{di_p}{dt} \quad (\text{volts, V}) \quad (22.2)$$

revealing that the induced voltage across the primary is also directly related to the self-inductance of the primary and the rate of change of current through the primary winding.

The magnitude of e_s , the voltage induced across the secondary, is determined by

$$e_s = N_s \frac{d\phi_m}{dt} \quad (\text{volts, V}) \quad (22.3)$$

where N_s is the number of turns in the secondary winding and ϕ_m is the portion of the primary flux ϕ_p that links the secondary winding.

If all of the flux linking the primary links the secondary, then

$$\phi_m = \phi_p$$

and

$$e_s = N_s \frac{d\phi_p}{dt} \quad (\text{volts, V}) \quad (22.4)$$

The **coefficient of coupling** (k) between two coils is determined by

$$k \text{ (coefficient of coupling)} = \frac{\phi_m}{\phi_p} \quad (22.5)$$

Since the maximum level of ϕ_m is ϕ_p , the coefficient of coupling between two coils can never be greater than 1.

The coefficient of coupling between various coils is indicated in Fig. 22.2. In Fig. 22.2(a), the ferromagnetic steel core ensures that most of the flux linking the primary also links the secondary, establishing a coupling coefficient very close to 1. In Fig. 22.2(b), the fact that both coils are overlapping results in the flux of one coil linking the other coil, with the result

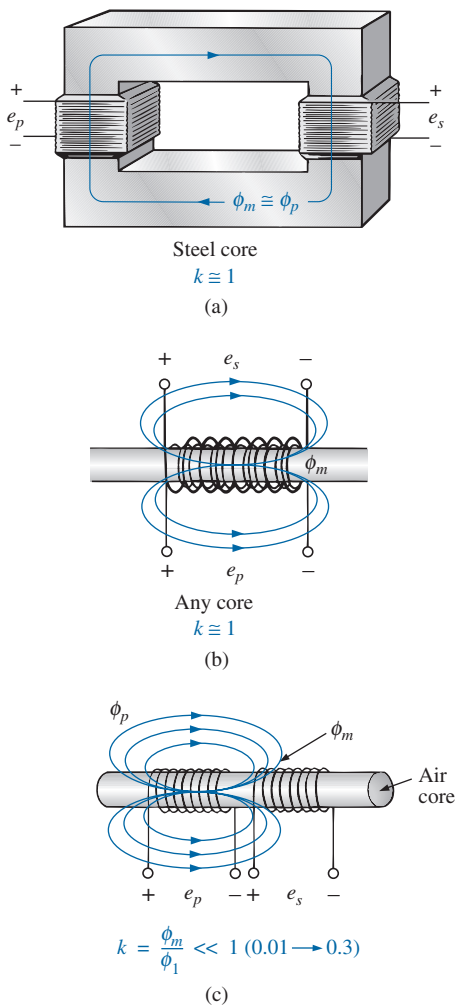


FIG. 22.2

Windings having different coefficients of coupling.



that the coefficient of coupling is again very close to 1. In Fig. 22.2(c), the absence of a ferromagnetic core results in low levels of flux linkage between the coils. The closer the two coils are, the greater the flux linkage, and the higher the value of k , although it will never approach a level of 1. Those coils with low coefficients of coupling are said to be **loosely coupled**.

For the secondary, we have

$$e_s = N_s \frac{d\phi_m}{dt} = N_s \frac{dk\phi_p}{dt}$$

and

$$e_s = kN_s \frac{d\phi_p}{dt} \quad (\text{volts, V}) \quad (22.6)$$

The mutual inductance between the two coils in Fig. 22.1 is determined by

$$M = N_s \frac{d\phi_m}{di_p} \quad (\text{henries, H}) \quad (22.7)$$

or

$$M = N_p \frac{d\phi_p}{di_s} \quad (\text{henries, H}) \quad (22.8)$$

Note in the above equations that the symbol for mutual inductance is the capital letter M and that its unit of measurement, like that of self-inductance, is the *henry*. In words, Eqs. (22.7) and (22.8) state that the

mutual inductance between two coils is proportional to the instantaneous change in flux linking one coil due to an instantaneous change in current through the other coil.

In terms of the inductance of each coil and the coefficient of coupling, the mutual inductance is determined by

$$M = k\sqrt{L_p L_s} \quad (\text{henries, H}) \quad (22.9)$$

The greater the coefficient of coupling (greater flux linkages), or the greater the inductance of either coil, the higher the mutual inductance between the coils. Relate this fact to the configurations in Fig. 22.2.

The secondary voltage e_s can also be found in terms of the mutual inductance if we rewrite Eq. (22.3) as

$$e_s = N_s \left(\frac{d\phi_m}{di_p} \right) \left(\frac{di_p}{dt} \right)$$

and, since $M = N_s (d\phi_m/di_p)$, it can also be written

$$e_s = M \frac{di_p}{dt} \quad (\text{volts, V}) \quad (22.10)$$

Similarly,

$$e_p = M \frac{di_s}{dt} \quad (\text{volts, V}) \quad (22.11)$$

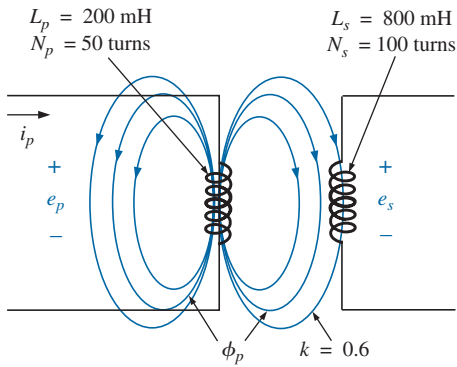


FIG. 22.3
Example 22.1

EXAMPLE 22.1 For the transformer in Fig. 22.3:

- Find the mutual inductance M .
- Find the induced voltage e_p if the flux ϕ_p changes at the rate of 450 mWb/s.
- Find the induced voltage e_s for the same rate of change indicated in part (b).
- Find the induced voltages e_p and e_s if the current i_p changes at the rate of 0.2 A/ms.

Solutions:

- $$M = k\sqrt{L_p L_s} = 0.6\sqrt{(200 \text{ mH})(800 \text{ mH})}$$

$$= 0.6\sqrt{16 \times 10^{-2}} = (0.6)(400 \times 10^{-3}) = \mathbf{240 \text{ mH}}$$
- $$e_p = N_p \frac{d\phi_p}{dt} = (50)(450 \text{ mWb/s}) = \mathbf{22.5 \text{ V}}$$
- $$e_s = kN_s \frac{d\phi_p}{dt} = (0.6)(100)(450 \text{ mWb/s}) = \mathbf{27 \text{ V}}$$
- $$e_p = L_p \frac{di_p}{dt} = (200 \text{ mH})(0.2 \text{ A/ms})$$

$$= (200 \text{ mH})(200 \text{ A/s}) = \mathbf{40 \text{ V}}$$

$$e_s = M \frac{di_p}{dt} = (240 \text{ mH})(200 \text{ A/s}) = \mathbf{48 \text{ V}}$$

22.3 THE IRON-CORE TRANSFORMER

An iron-core transformer under loaded conditions is shown in Fig. 22.4. The iron core will serve to increase the coefficient of coupling between the coils by increasing the mutual flux ϕ_m . Recall from Chapter 11 that magnetic flux lines always take the path of least reluctance, which in this case is the iron core.

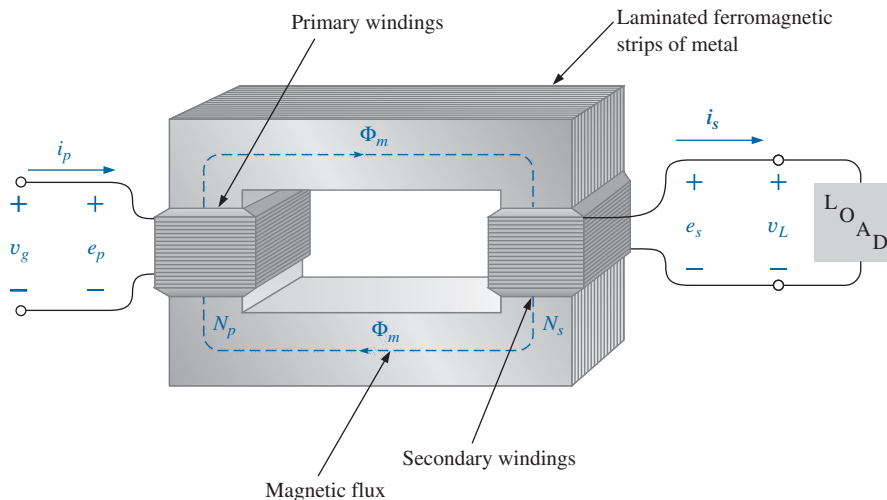


FIG. 22.4
Iron-core transformer.



In the analyses in this chapter, we assume that all of the flux linking coil 1 will link coil 2. In other words, the coefficient of coupling is its maximum value, 1, and $\phi_m = \phi_p = \phi_s$. In addition, we first analyze the transformer from an ideal viewpoint; that is, we neglect losses such as the geometric or dc resistance of the coils, the leakage reactance due to the flux linking either coil that forms no part of ϕ_m , and the hysteresis and eddy current losses. This is not to convey the impression, however, that we are far from the actual operation of a transformer. Most transformers manufactured today can be considered almost ideal. The equations we develop under ideal conditions are, in general, a first approximation to the actual response, which is never off by more than a few percentage points. The losses are considered in greater detail in Section 22.6.

When the current i_p through the primary circuit of the iron-core transformer is a maximum, the flux ϕ_m linking both coils is also a maximum. In fact, the magnitude of the flux is directly proportional to the current through the primary windings. Therefore, the two are in phase, and for sinusoidal inputs, the magnitude of the flux varies as a sinusoid also. That is, if

$$i_p = \sqrt{2}I_p \sin \omega t$$

then

$$\phi_m = \Phi_m \sin \omega t$$

The induced voltage across the primary due to a sinusoidal input can be determined by Faraday's law:

$$e_p = N_p \frac{d\phi_p}{dt} = N_p \frac{d\phi_m}{dt}$$

Substituting for ϕ_m gives us

$$e_p = N_p \frac{d}{dt}(\Phi_m \sin \omega t)$$

and differentiating, we obtain

$$e_p = \omega N_p \Phi_m \cos \omega t$$

or

$$e_p = \omega N_p \Phi_m \sin(\omega t + 90^\circ)$$

indicating that the induced voltage e_p leads the current through the primary coil by 90° .

The effective value of e_p is

$$E_p = \frac{\omega N_p \Phi_m}{\sqrt{2}} = \frac{2\pi f N_p \Phi_m}{\sqrt{2}}$$

and

$$\boxed{E_p = 4.44fN_p\Phi_m} \quad (22.12)$$

which is an equation for the rms value of the voltage across the primary coil in terms of the frequency of the input current or voltage, the number of turns of the primary, and the maximum value of the magnetic flux linking the primary.

For the case under discussion, where the flux linking the secondary equals that of the primary, if we repeat the procedure just described for the induced voltage across the secondary we get

$$\boxed{E_s = 4.44fN_s\Phi_m} \quad (22.13)$$



Dividing Eq. (22.12) by Eq. (22.13), as follows:

$$\frac{E_p}{E_s} = \frac{4.44fN_p\Phi_m}{4.44fN_s\Phi_m}$$

we obtain

$$\boxed{\frac{E_p}{E_s} = \frac{N_p}{N_s}} \quad (22.14)$$

revealing an important relationship for transformers:

The ratio of the magnitudes of the induced voltages is the same as the ratio of the corresponding turns.

If we consider that

$$e_p = N_p \frac{d\phi_m}{dt} \quad \text{and} \quad e_s = N_s \frac{d\phi_m}{dt}$$

and divide one by the other, that is,

$$\frac{e_p}{e_s} = \frac{N_p(d\phi_m/dt)}{N_s(d\phi_m/dt)}$$

then

$$\frac{e_p}{e_s} = \frac{N_p}{N_s}$$

The *instantaneous* values of e_1 and e_2 are therefore related by a constant determined by the turns ratio. Since their instantaneous magnitudes are related by a constant, the induced voltages are in phase, and Eq. (22.14) can be changed to include phasor notation; that is,

$$\boxed{\frac{\mathbf{E}_p}{\mathbf{E}_s} = \frac{N_p}{N_s}} \quad (22.15)$$

or, since $\mathbf{V}_g = \mathbf{E}_1$ and $\mathbf{V}_L = \mathbf{E}_2$ for the ideal situation,

$$\boxed{\frac{\mathbf{V}_g}{\mathbf{V}_L} = \frac{N_p}{N_s}} \quad (22.16)$$

The ratio N_p/N_s , usually represented by the lowercase letter a , is referred to as the **transformation ratio**:

$$\boxed{a = \frac{N_p}{N_s}} \quad (22.17)$$

If $a < 1$, the transformer is called a **step-up transformer** since the voltage $E_s > E_p$; that is,

$$\frac{E_p}{E_s} = \frac{N_p}{N_s} = a \quad \text{or} \quad E_s = \frac{E_p}{a}$$

and, if $a < 1$,

$$E_s > E_p$$



If $a > 1$, the transformer is called a **step-down transformer** since $E_s < E_p$; that is,

$$E_p = aE_s$$

and, if $a > 1$, then

$$E_p > E_s$$

EXAMPLE 22.2 For the iron-core transformer in Fig. 22.5:

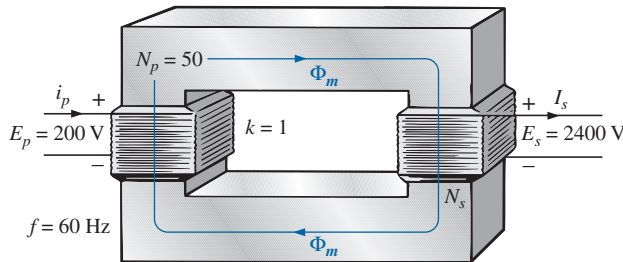


FIG. 22.5
Example 22.2.

- Find the maximum flux Φ_m .
- Find the secondary turns N_s .

Solutions:

a. $E_p = 4.44N_p f \Phi_m$

Therefore, $\Phi_m = \frac{E_p}{4.44 N_p f} = \frac{200 \text{ V}}{(4.44)(50 \text{ t})(60 \text{ Hz})}$

and $\Phi_m = \mathbf{15.02 \text{ mWb}}$

b. $\frac{E_p}{E_s} = \frac{N_p}{N_s}$

Therefore, $N_s = \frac{N_p E_s}{E_p} = \frac{(50 \text{ t})(2400 \text{ V})}{200 \text{ V}}$
 $= \mathbf{600 \text{ turns}}$

The induced voltage across the secondary of the transformer in Fig. 22.4 establishes a current i_s through the load Z_L and the secondary windings. This current and the turns N_s develop an mmf $N_s i_s$ that are not present under no-load conditions since $i_s = 0$ and $N_s i_s = 0$. Under loaded or unloaded conditions, however, the net ampere-turns on the core produced by both the primary and the secondary must remain unchanged for the same flux ϕ_m to be established in the core. The flux ϕ_m must remain the same to have the same induced voltage across the primary and to balance the voltage impressed across the primary. To counteract the mmf of the secondary, which is tending to change ϕ_m , an additional current must flow in the primary. This current is called the *load component of the primary current* and is represented by the notation i'_p .

For the balanced or equilibrium condition,

$$N_p i'_p = N_s i_s$$



The total current in the primary under loaded conditions is

$$i_p = i'_p + i_{\phi_m}$$

where i_{ϕ_m} is the current in the primary necessary to establish the flux ϕ_m . For most practical applications, $i'_p > i_{\phi_m}$. For our analysis, we assume $i_p \cong i'_p$, so

$$N_p i_p = N_s i_s$$

Since the instantaneous values of i_p and i_s are related by the turns ratio, the phasor quantities \mathbf{I}_p and \mathbf{I}_s are also related by the same ratio:

$$N_p \mathbf{I}_p = N_s \mathbf{I}_s$$

or

$$\boxed{\frac{\mathbf{I}_p}{\mathbf{I}_s} = \frac{N_s}{N_p}} \quad (22.18)$$

The primary and secondary currents of a transformer are therefore related by the inverse ratios of the turns.

Keep in mind that Eq. (22.18) holds true only if we neglect the effects of i_{ϕ_m} . Otherwise, the magnitudes of \mathbf{I}_p and \mathbf{I}_s are not related by the turns ratio, and \mathbf{I}_p and \mathbf{I}_s are not in phase.

For the step-up transformer, $a < 1$, and the current in the secondary, $I_s = aI_p$, is less in magnitude than that in the primary. For a step-down transformer, the reverse is true.

22.4 REFLECTED IMPEDANCE AND POWER

In the previous section we found that

$$\frac{V_g}{V_L} = \frac{N_p}{N_s} = a \quad \text{and} \quad \frac{\mathbf{I}_p}{\mathbf{I}_s} = \frac{N_s}{N_p} = \frac{1}{a}$$

Dividing the first by the second, we have

$$\frac{V_g/V_L}{\mathbf{I}_p/\mathbf{I}_s} = \frac{a}{1/a}$$

$$\text{or} \quad \frac{V_g/\mathbf{I}_p}{V_L/\mathbf{I}_s} = a^2 \quad \text{and} \quad \frac{V_g}{V_L} = a^2 \frac{V_L}{\mathbf{I}_s}$$

However, since

$$\mathbf{Z}_p = \frac{V_g}{\mathbf{I}_p} \quad \text{and} \quad \mathbf{Z}_L = \frac{V_L}{\mathbf{I}_s}$$

then

$$\boxed{\mathbf{Z}_p = a^2 \mathbf{Z}_L} \quad (22.19)$$

That is, the impedance of the primary circuit of an ideal transformer is the transformation ratio squared times the impedance of the load. If a transformer is used, therefore, an impedance can be made to appear larger or smaller at the primary by placing it in the secondary of a step-down ($a > 1$) or step-up ($a < 1$) transformer, respectively. Note that if the load is capacitive or inductive, the **reflected impedance** is also capacitive or inductive.

For the ideal iron-core transformer,

$$\frac{E_p}{E_s} = a = \frac{I_s}{I_p}$$



or $E_p I_p = E_s I_s$ (22.20)

and $P_{in} = P_{out}$ (ideal conditions) (22.21)

EXAMPLE 22.3 For the iron-core transformer in Fig. 22.6:

- a. Find the magnitude of the current in the primary and the impressed voltage across the primary.
- b. Find the input resistance of the transformer.

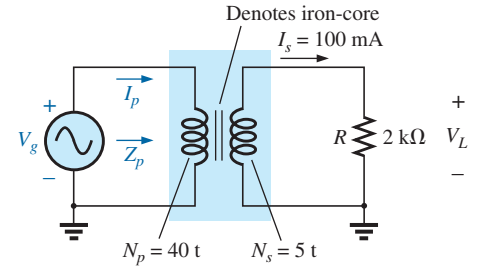


FIG. 22.6
Example 22.3.

Solutions:

- a. $\frac{I_p}{I_s} = \frac{N_s}{N_p}$
 $I_p = \frac{N_s}{N_p} I_s = \left(\frac{5}{40}\right)(0.1 \text{ A}) = \mathbf{12.5 \text{ mA}}$
 $V_L = I_s Z_L = (0.1 \text{ A})(2 \text{ k}\Omega) = 200 \text{ V}$
 Also, $\frac{V_g}{V_L} = \frac{N_p}{N_s}$
 $V_g = \frac{N_p}{N_s} V_L = \left(\frac{40}{5}\right)(200 \text{ V}) = \mathbf{1600 \text{ V}}$
- b. $Z_p = a^2 Z_L$
 $a = \frac{N_p}{N_s} = 8$
 $Z_p = (8)^2(2 \text{ k}\Omega) = R_p = \mathbf{128 \text{ k}\Omega}$

EXAMPLE 22.4 For the residential supply appearing in Fig. 22.7, determine (assuming a totally resistive load) the following:

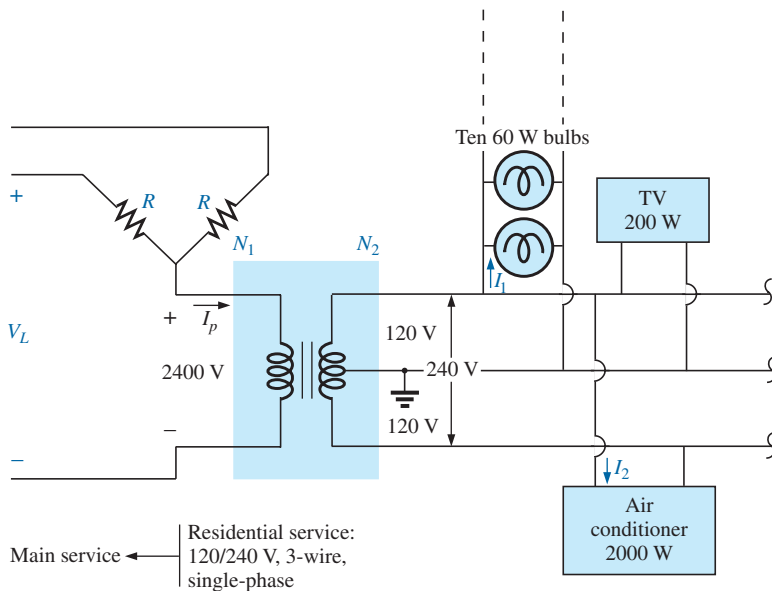


FIG. 22.7
Single-phase residential supply.



- the value of R to ensure a balanced load
- the magnitude of I_1 and I_2
- the line voltage V_L
- the total power delivered for a balanced three-phase load
- the turns ratio $a = N_p/N_s$

Solutions:

$$\begin{aligned} \text{a. } P_T &= (10)(60 \text{ W}) + 200 \text{ W} + 2000 \text{ W} \\ &= 600 \text{ W} + 200 \text{ W} + 2000 \text{ W} = 2800 \text{ W} \end{aligned}$$

$$P_{\text{in}} = P_{\text{out}}$$

$$V_p I_p = V_s I_s = 2800 \text{ W (purely resistive load)}$$

$$(2400 \text{ V})I_p = 2800 \text{ W and } I_p = 1.17 \text{ A}$$

$$R = \frac{V_\phi}{I_p} = \frac{2400 \text{ V}}{1.17 \text{ A}} = \mathbf{2051.28 \ \Omega}$$

$$\text{b. } P_1 = 600 \text{ W} = VI_1 = (120 \text{ V})I_1$$

$$\text{and } I_1 = \mathbf{5 \text{ A}}$$

$$P_2 = 2000 \text{ W} = VI_2 = (240 \text{ V})I_2$$

$$\text{and } I_2 = \mathbf{8.33 \text{ A}}$$

$$\text{c. } V_L = \sqrt{3}V_\phi = 1.73(2400 \text{ V}) = \mathbf{4152 \text{ V}}$$

$$\text{d. } P_T = 3P_\phi = 3(2800 \text{ W}) = \mathbf{8.4 \text{ kW}}$$

$$\text{e. } a = \frac{N_p}{N_s} = \frac{V_p}{V_s} = \frac{2400 \text{ V}}{240 \text{ V}} = \mathbf{10}$$

22.5 IMPEDANCE MATCHING, ISOLATION, AND DISPLACEMENT

Transformers can be particularly useful when you are trying to ensure that a load receives maximum power from a source. Recall that maximum power is transferred to a load when its impedance is a match with the internal resistance of the supply. Even if a perfect match is unattainable, the closer the load matches the internal resistance, the greater the power to the load and the more efficient the system. Unfortunately, unless it is planned as part of the design, most loads are not a close match with the internal impedance of the supply. However, transformers have a unique relationship between their primary and secondary impedances that can be put to good use in the impedance matching process. Example 22.5 demonstrates the significant difference in the power delivered to the load with and without an impedance matching transformer.

EXAMPLE 22.5

- The source impedance for the supply in Fig. 22.8(a) is $512 \ \Omega$, which is a poor match with the $8 \ \Omega$ input impedance of the speaker. You can expect only that the power delivered to the speaker will be significantly less than the maximum possible level. Determine the power to the speaker under the conditions in Fig. 22.8(a).
- In Fig. 22.8(b), an audio impedance matching transformer was introduced between the speaker and the source, and it was designed to ensure maximum power to the $8 \ \Omega$ speaker. Determine the input impedance of the transformer and the power delivered to the speaker.

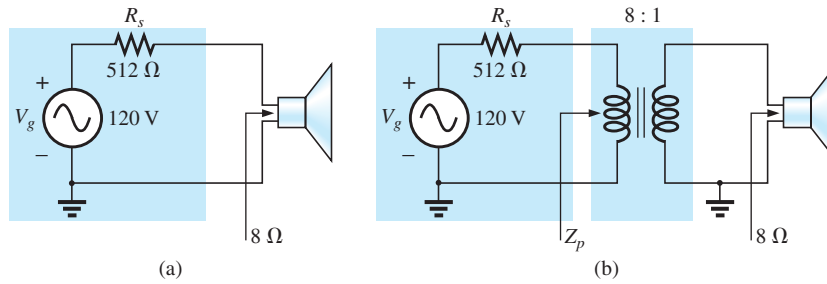


FIG. 22.8
Example 22.5.

- c. Compare the power delivered to the speaker under the conditions of parts (a) and (b).

Solutions:

- a. The source current:

$$I_s = \frac{E}{R_T} = \frac{120 \text{ V}}{512 \Omega + 8 \Omega} = \frac{120 \text{ V}}{520 \Omega} = 230.8 \text{ mA}$$

The power to the speaker:

$$P = I^2 R = (230.8 \text{ mA})^2 \cdot 8 \Omega = \mathbf{426.15 \text{ mW} \cong 0.43 \text{ W}}$$

or less than half a watt.

- b. $Z_p = a^2 Z_L$

$$a = \frac{N_p}{N_s} = \frac{8}{1} = 8$$

and $Z_p = (8)^2 8 \Omega = \mathbf{512 \Omega}$

which matches that of the source. Maximum power transfer conditions have been established, and the source current is now determined by

$$I_s = \frac{E}{R_T} = \frac{120 \text{ V}}{512 \Omega + 512 \Omega} = \frac{120 \text{ V}}{1024 \Omega} = 117.19 \text{ mA}$$

The power to the primary (which equals that to the secondary for the ideal transformer) is

$$P = I^2 R = (117.19 \text{ mA})^2 512 \Omega = \mathbf{7.032 \text{ W}}$$

The result is not in milliwatts, as obtained above, and exceeds 7 W, which is a significant improvement.

- c. Comparing levels, $7.032 \text{ W}/426.15 \text{ mW} = 16.5$, or more than 16 times the power delivered to the speaker using the impedance matching transformer.

Another important application of the impedance matching capabilities of a transformer is the matching of the 300 Ω twin line transmission line from a television antenna to the 75 Ω input impedance of a television (ready-made for the 75 Ω coaxial cable), as shown in Fig. 22.9. A match must be made to ensure the strongest signal to the television receiver.

Using the equation $Z_p = a^2 Z_L$ we find

$$300 \Omega = a^2 75 \Omega$$

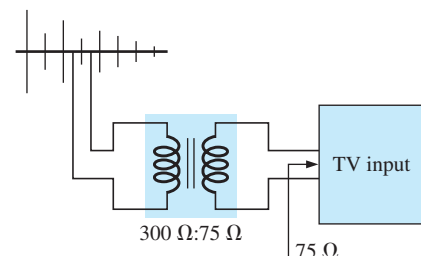


FIG. 22.9
Television impedance matching transformer.



and
$$a = \sqrt{\frac{300 \Omega}{75 \Omega}} = \sqrt{4} = 2$$

with $N_p : N_s = 2 : 1$ (a step-down transformer)

EXAMPLE 22.6 Impedance matching transformers are also quite evident in public address systems, such as the one appearing in the 70.7 V system in Fig. 22.10. Although the system has only one set of output terminals, up to four speakers can be connected to this system (the number is a function of the chosen system). Each 8 Ω speaker is connected to the 70.7 V line through a 10 W audio-matching transformer (defining the frequency range of linear operation).

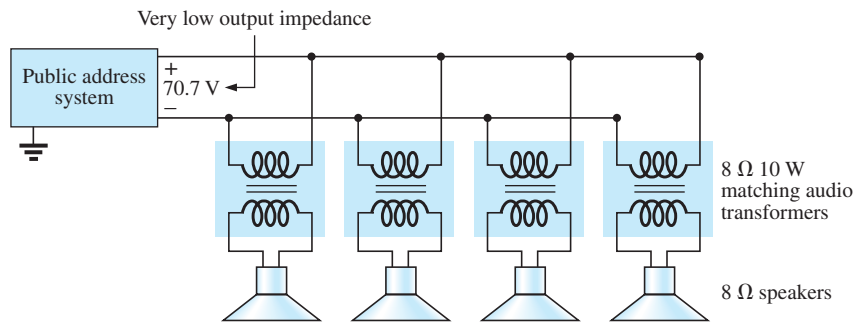


FIG. 22.10

Public address system.

- If each speaker in Fig. 22.10 can receive 10 W of power, what is the maximum power drain on the source?
- For each speaker, determine the impedance seen at the input side of the transformer if each is operating under its full 10 W of power.
- Determine the turns ratio of the transformers.
- At 10 W, what are the speaker voltage and current?
- What is the load seen by the source with one, two, three, or four speakers connected?

Solutions:

- Ideally, the primary power equals the power delivered to the load, resulting in a maximum of **40 W** from the supply.
- The power at the primary:

$$P_p = V_p I_p = (70.7 \text{ V}) I_p = 10 \text{ W}$$

and
$$I_p = \frac{10 \text{ W}}{70.7 \text{ V}} = 141.4 \text{ mA}$$

so that
$$Z_p = \frac{V_p}{I_p} = \frac{70.7 \text{ V}}{141.4 \text{ mA}} = \mathbf{500 \Omega}$$

c. $Z_p = a^2 Z_L \Rightarrow a = \sqrt{\frac{Z_p}{Z_L}} = \sqrt{\frac{500 \Omega}{8 \Omega}} = \sqrt{62.5} = \mathbf{7.91 \approx 8:1}$

d. $V_s = V_L = \frac{V_p}{a} = \frac{70.7 \text{ V}}{7.91} = \mathbf{8.94 \text{ V} \approx 9 \text{ V}}$



e. All the speakers are in parallel. Therefore,

$$\text{One speaker: } R_T = 500 \, \Omega$$

$$\text{Two speakers: } R_T = \frac{500 \, \Omega}{2} = 250 \, \Omega$$

$$\text{Three speakers: } R_T = \frac{500 \, \Omega}{3} = 167 \, \Omega$$

$$\text{Four speakers: } R_T = \frac{500 \, \Omega}{4} = 125 \, \Omega$$

Even though the load seen by the source varies with the number of speakers connected, the source impedance is so low (compared to the lowest load of $125 \, \Omega$) that the terminal voltage of $70.7 \, \text{V}$ is essentially constant. This is not the case where the desired result is to match the load to the input impedance; rather, it was to ensure $70.7 \, \text{V}$ at each primary, no matter how many speakers were connected, and to limit the current drawn from the supply.

The transformer is frequently used to isolate one portion of an electrical system from another. *Isolation* implies the absence of any direct physical connection. As a first example of its use as an isolation device, consider the measurement of line voltages on the order of $40,000 \, \text{V}$ (Fig. 22.11).

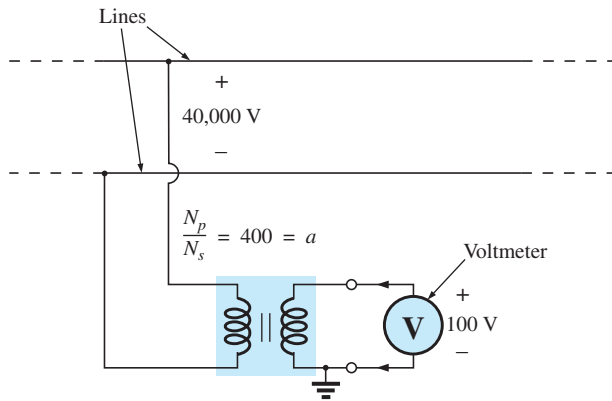


FIG. 22.11

Isolating a high-voltage line from the point of measurement.

To apply a voltmeter across $40,000 \, \text{V}$ would obviously be a dangerous task due to the possibility of physical contact with the lines when making the necessary connections. Including a transformer in the transmission system as original equipment can bring the potential down to a safe level for measurement purposes and can determine the line voltage using the turns ratio. Therefore, the transformer serves both to isolate and to step down the voltage.

As a second example, consider the application of the voltage v_x to the vertical input of the oscilloscope (a measuring instrument) in Fig. 22.12. If the connections are made as shown, and if the generator and oscilloscope have a common ground, the impedance Z_2 has been effectively shorted out of the circuit by the ground connection of the oscilloscope. The input voltage to the oscilloscope is therefore meaningless as far as the

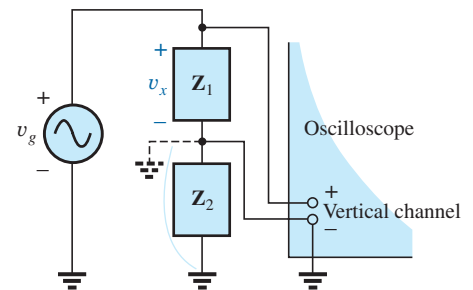


FIG. 22.12

Demonstrating the shorting effect introduced by the grounded side of the vertical channel of an oscilloscope.

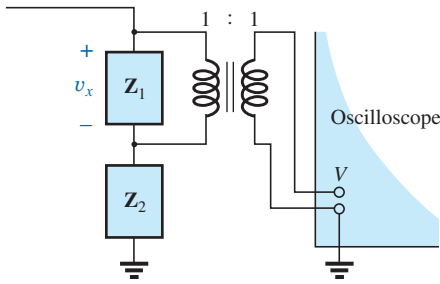


FIG. 22.13

Correcting the situation of Fig. 22.12 using an isolation transformer.

voltage v_x is concerned. In addition, if Z_2 is the current-limiting impedance in the circuit, the current in the circuit may rise to a level that causes severe damage to the circuit. If a transformer is used as shown in Fig. 22.13, this problem is eliminated, and the input voltage to the oscilloscope will be v_x .

The linear variable differential transformer (LVDT) is a sensor that can reveal displacement using transformer effects. In its simplest form, the LVDT has a central winding and two secondary windings, as shown in Fig. 22.14(a). A ferromagnetic core inside the windings is free to move as dictated by some external force. A constant, low-level ac voltage is applied to the primary, and the output voltage is the difference between the voltages induced in the secondaries. If the core is in the position shown in Fig. 22.14(b), a relatively large voltage is induced across the secondary winding labeled coil 1, and a relatively small voltage is induced across the secondary winding labeled coil 2 (essentially an air-core transformer for this position). The result is a relatively large secondary output voltage. If the core is in the position shown in Fig. 22.14(c), the flux linking each coil is the same, and the output voltage (being the difference) will be quite small. In total, therefore, the position of the core can be related to the secondary voltage, and a position-versus-voltage graph can be developed as shown in Fig. 22.14(d). Due to the nonlinearity of the $B-H$ curve, the curve becomes somewhat nonlinear if the core is moved too far out of the unit.

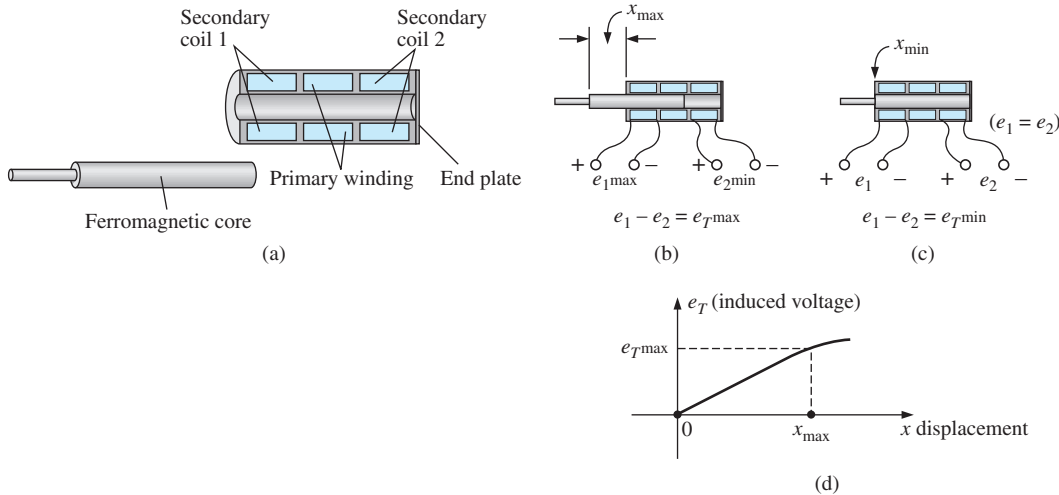


FIG. 22.14

LVDT transformer: (a) construction; (b) maximum displacement; (c) minimum displacement; (d) graph of induced voltage versus displacement.

22.6 EQUIVALENT CIRCUIT (IRON-CORE TRANSFORMER)

For the nonideal or practical iron-core transformer, the equivalent circuit appears as in Fig. 22.15. As indicated, part of this equivalent circuit includes an ideal transformer. The remaining elements of Fig. 22.15 are those elements that contribute to the nonideal characteristics of the device. The resistances R_p and R_s are simply the dc or geometric resistance of the primary and secondary windings, respectively. For the primary and secondary coils of a transformer, there is a small amount of flux that links

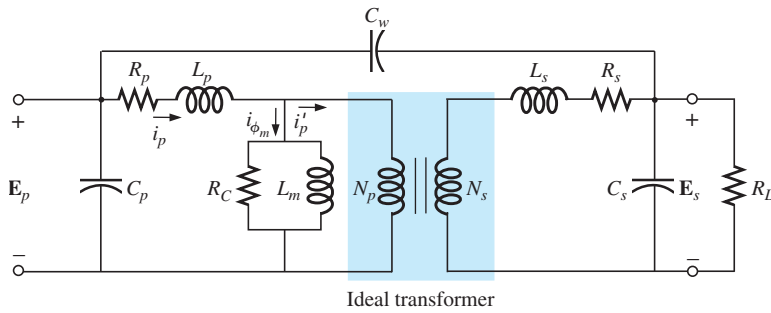


FIG. 22.15

Equivalent circuit for the practical iron-core transformer.

each coil but does not pass through the core, as shown in Fig. 22.16 for the primary winding. This **leakage flux**, representing a definite loss in the system, is represented by an inductance L_p in the primary circuit and an inductance L_s in the secondary.

The resistance R_c represents the hysteresis and eddy current losses (core losses) within the core due to an ac flux through the core. The inductance L_m (magnetizing inductance) is the inductance associated with the magnetization of the core, that is, the establishing of the flux Φ_m in the core. The capacitances C_p and C_s are the lumped capacitances of the primary and secondary circuits, respectively, and C_w represents the equivalent lumped capacitances between the windings of the transformer.

Since i'_p is normally considerably larger than i_{ϕ_m} (the magnetizing current), we will ignore i_{ϕ_m} for the moment (set it equal to zero), resulting in the absence of R_c and L_m in the reduced equivalent circuit in Fig. 22.17. The capacitances C_p , C_w , and C_s do not appear in the equivalent circuit in Fig. 22.17 since their reactance at typical operating frequencies do not appreciably affect the transfer characteristics of the transformer.

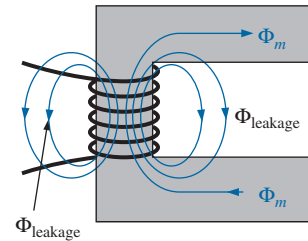


FIG. 22.16

Identifying the leakage flux of the primary.

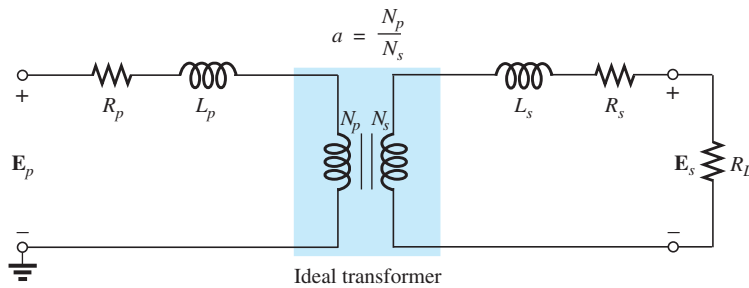


FIG. 22.17

Reduced equivalent circuit for the nonideal iron-core transformer.

If we now reflect the secondary circuit through the ideal transformer using Eq. (22.19), as shown in Fig. 22.18(a), we will have the load and generator voltage in the same continuous circuit. The total resistance and inductive reactance of the primary circuit are determined by

$$R_{\text{equivalent}} = R_e = R_p + a^2 R_s \quad (22.22)$$

and

$$X_{\text{equivalent}} = X_e = X_p + a^2 X_s \quad (22.23)$$

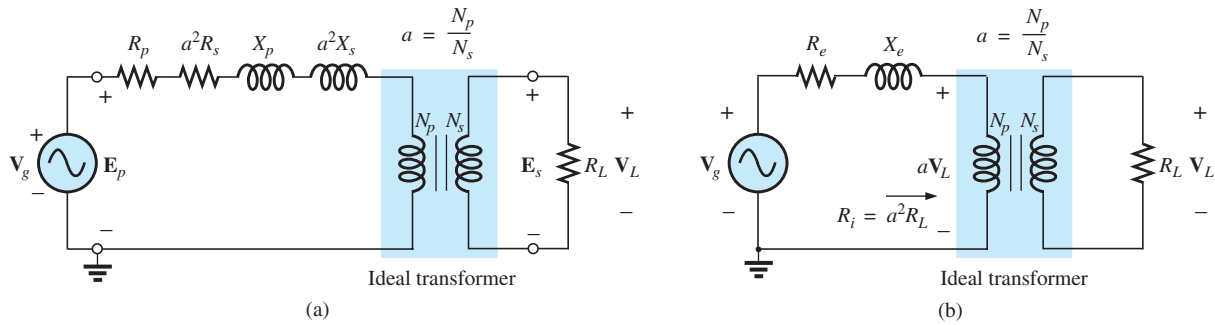


FIG. 22.18

Reflecting the secondary circuit into the primary side of the iron-core transformer.

which result in the useful equivalent circuit of Fig. 22.18(b). The load voltage can be obtained directly from the circuit in Fig. 22.18(b) through the voltage divider rule:

$$aV_L = \frac{R_i V_g}{(R_e + R_i) + j X_e}$$

and

$$V_L = \frac{a^2 R_L V_g}{(R_e + a^2 R_L) + j X_e} \tag{22.24}$$

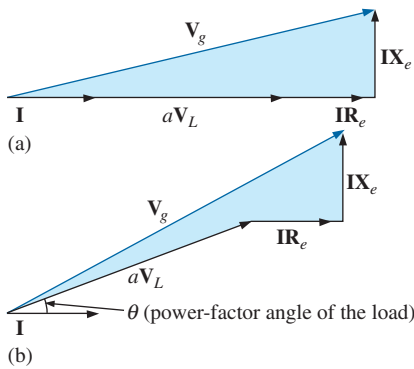


FIG. 22.19

Phasor diagram for the iron-core transformer with (a) unity power-factor load (resistive) and (b) lagging power-factor load (inductive).

The network in Fig. 22.18(b) also allows us to calculate the generator voltage necessary to establish a particular load voltage. The voltages across the elements in Fig. 22.18(b) have the phasor relationship indicated in Fig. 22.19(a). Note that the current is the reference phasor for drawing the phasor diagram. That is, the voltages across the resistive elements are *in phase* with the current phasor, while the voltage across the equivalent inductance leads the current by 90°. The primary voltage, by Kirchhoff's voltage law, is then the phasor sum of these voltages, as indicated in Fig. 22.19(a). For an inductive load, the phasor diagram appears in Fig. 22.19(b). Note that aV_L leads I by the power-factor angle of the load. The remainder of the diagram is then similar to that for a resistive load. (The phasor diagram for a capacitive load is left to the reader as an exercise.)

The effect of R_e and X_e on the magnitude of V_g for a particular V_L is obvious from Eq. (22.24) or Fig. 22.19. For increased values of R_e or X_e , an increase in V_g is required for the same load voltage. For R_e and $X_e = 0$, V_L and V_g are simply related by the turns ratio.

EXAMPLE 22.7 For a transformer having the equivalent circuit in Fig. 22.20:

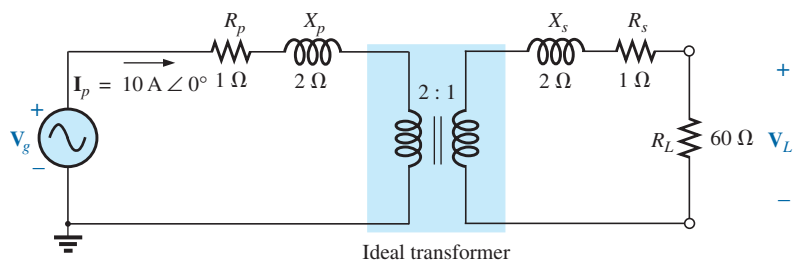


FIG. 22.20

Example 22.7



- a. Determine R_e and X_e .
- b. Determine the magnitude of the voltages V_L and V_g .
- c. Determine the magnitude of the voltage V_g to establish the same load voltage in part (b) if R_e and $X_e = 0 \Omega$. Compare with the result of part (b).

Solutions:

- a. $R_e = R_p + a^2R_s = 1 \Omega + (2)^2(1 \Omega) = 5 \Omega$
 $X_e = X_p + a^2X_s = 2 \Omega + (2)^2(2 \Omega) = 10 \Omega$
- b. The transformed equivalent circuit appears in Fig. 22.21.

$$aV_L = (I_p)(a^2R_L) = 2400 \text{ V}$$

Thus,

$$V_L = \frac{2400 \text{ V}}{a} = \frac{2400 \text{ V}}{2} = 1200 \text{ V}$$

and

$$\begin{aligned} V_g &= I_p(R_e + a^2R_L + jX_e) \\ &= 10 \text{ A}(5 \Omega + 240 \Omega + j10 \Omega) = 10 \text{ A}(245 \Omega + j10 \Omega) \\ V_g &= 2450 \text{ V} + j100 \text{ V} = 2452.04 \text{ V} \angle 2.34^\circ \\ &= 2452.04 \text{ V} \angle 2.34^\circ \end{aligned}$$

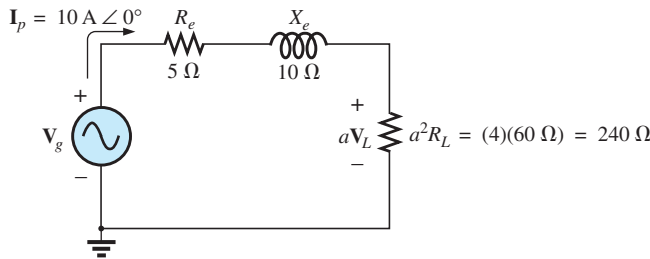


FIG. 22.21

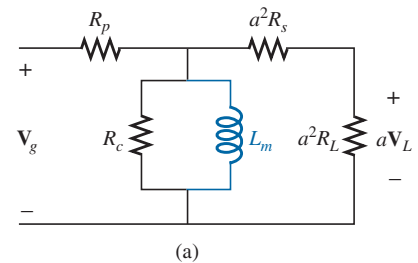
Transformed equivalent circuit of Fig. 22.20.

- c. For R_e and $X_e = 0$, $V_g = aV_L = (2)(1200 \text{ V}) = 2400 \text{ V}$.
 Therefore, it is necessary to increase the generator voltage by 52.04 V (due to R_e and X_e) to obtain the same load voltage.

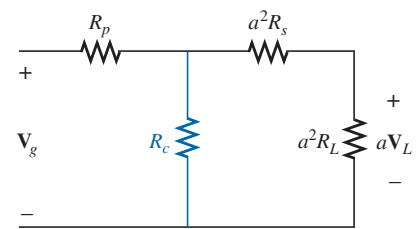
22.7 FREQUENCY CONSIDERATIONS

For certain frequency ranges, the effect of some parameters in the equivalent circuit of the iron-core transformer in Fig. 22.15 should not be ignored. Since it is convenient to consider a low-, mid-, and high-frequency region, the equivalent circuits for each are now introduced and briefly examined.

For the low-frequency region, the series reactance ($2\pi fL$) of the primary and secondary leakage reactances can be ignored since they are small in magnitude. The magnetizing inductance must be included, however, since it appears in parallel with the secondary reflected circuit, and small impedances in a parallel network can have a dramatic impact on the terminal characteristics. The resulting equivalent network for the low-frequency region is provided in Fig. 22.22(a). As the frequency decreases, the reactance of the magnetizing inductance reduces in magnitude, causing a reduction in the voltage across the secondary circuit. For $f = 0 \text{ Hz}$, L_m is ideally a short



(a)



(b)

FIG. 22.22

- (a) Low-frequency reflected equivalent circuit;
- (b) mid-frequency reflected circuit.



circuit, and $V_L = 0$. As the frequency increases, the reactance of L_m is eventually sufficiently large compared with the reflected secondary impedance to be neglected. The mid-frequency reflected equivalent circuit then appears as shown in Fig. 22.22(b). Note the absence of reactive elements, resulting in an *in-phase* relationship between load and generator voltages.

For higher frequencies, the capacitive elements and primary and secondary leakage reactances must be considered, as shown in Fig. 22.23. For discussion purposes, the effects of C_w and C_s appear as a lumped capacitor C in the reflected network in Fig. 22.23; C_p does not appear since the effect of C predominates. As the frequency of interest increases, the capacitive reactance ($X_C = 1/2\pi fC$) decreases to the point that it will have a shorting effect across the secondary circuit of the transformer, causing V_L to decrease in magnitude.

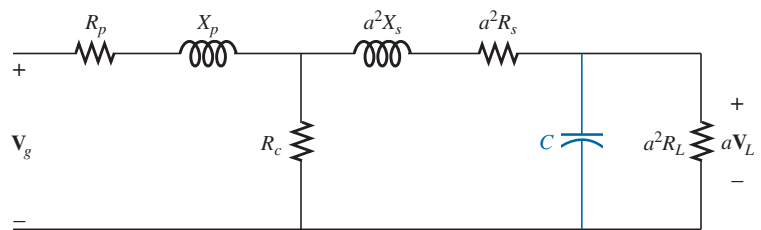


FIG. 22.23

High-frequency reflected equivalent circuit.

A typical iron-core transformer-frequency response curve appears in Fig. 22.24. For the low- and high-frequency regions, the primary element responsible for the drop-off is indicated. The peaking that occurs in the high-frequency region is due to the series resonant circuit established by the inductive and capacitive elements of the equivalent circuit. In the peaking region, the series resonant circuit is in, or near, its resonant or tuned state.

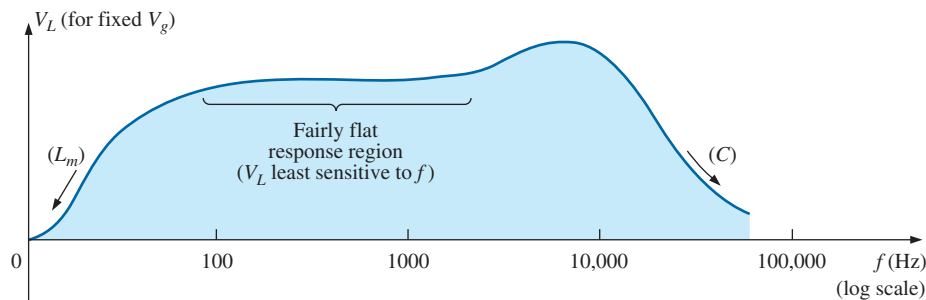


FIG. 22.24

Transformer-frequency response curve.

22.8 SERIES CONNECTION OF MUTUALLY COUPLED COILS

In Chapter 11, we found that the total inductance of series isolated coils was determined simply by the sum of the inductances. For two coils that are connected in series but also share the same flux linkages, such as those in Fig. 22.25(a), a mutual term is introduced that alters the total inductance of the series combination. The physical picture of how the coils are connected is indicated in Fig. 22.25(b). An iron core is included, although the equations to be developed are for any two mutually coupled



coils with any value of coefficient of coupling k . When referring to the voltage induced across the inductance L_1 (or L_2) due to the change in flux linkages of the inductance L_2 (or L_1 , respectively), the mutual inductance is represented by M_{12} . This type of subscript notation is particularly important when there are two or more mutual terms.

Due to the presence of the mutual term, the induced voltage e_1 is composed of that due to the self-inductance L_1 and that due to the mutual inductance M_{12} . That is,

$$e_1 = L_1 \frac{di_1}{dt} + M_{12} \frac{di_2}{dt}$$

However, since $i_1 = i_2 = i$,

$$e_1 = L_1 \frac{di}{dt} + M_{12} \frac{di}{dt}$$

or $e_1 = (L_1 + M_{12}) \frac{di}{dt}$ (volts, V) **(22.25)**

and, similarly,

$e_2 = (L_2 + M_{12}) \frac{di}{dt}$ (volts, V) **(22.26)**

For the series connection, the total induced voltage across the series coils, represented by e_T , is

$$e_T = e_1 + e_2 = (L_1 + M_{12}) \frac{di}{dt} + (L_2 + M_{12}) \frac{di}{dt}$$

or $e_T = (L_1 + L_2 + M_{12} + M_{12}) \frac{di}{dt}$

and the total effective inductance is

$L_{T(+)} = L_1 + L_2 + 2M_{12}$ (henries, H) **(22.27)**

The subscript (+) was included to indicate that the mutual terms have a positive sign and are added to the self-inductance values to determine the total inductance. If the coils are wound such as shown in Fig. 22.26, where ϕ_1 and ϕ_2 are in opposition, the induced voltages due to the mutual terms oppose that due to the self-inductance, and the total inductance is determined by

$L_{T(-)} = L_1 + L_2 - 2M_{12}$ (henries, H) **(22.28)**

Through Eqs. (22.27) and (22.28), the mutual inductance can be determined by

$M_{12} = \frac{1}{4}(L_{T(+)} - L_{T(-)})$ **(22.29)**

Eq. (22.29) is very effective in determining the mutual inductance between two coils. It states that the mutual inductance is equal to one-quarter

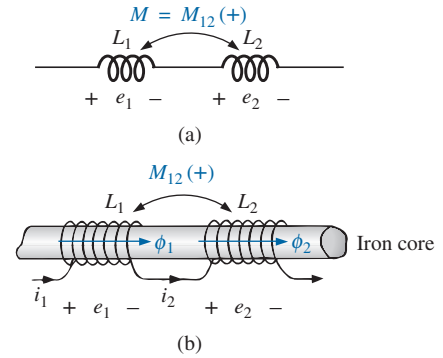


FIG. 22.25
Mutually coupled coils connected in series.

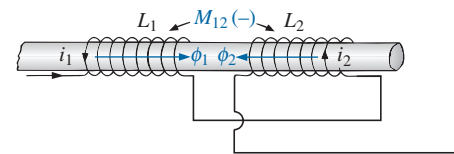


FIG. 22.26
Mutually coupled coils connected in series with negative mutual inductance.



the difference between the total inductance with a positive and negative mutual effect.

From the preceding, it should be clear that the mutual inductance directly affects the magnitude of the voltage induced across a coil since it determines the net inductance of the coil. Additional examination reveals that the sign of the mutual term for each coil of a coupled pair is the same. For $L_{T(+)}$ they are both positive, and for $L_{T(-)}$ they are both negative. On a network schematic where it is inconvenient to indicate the windings and the flux path, a system of dots that determines whether the mutual terms are to be positive or negative. The dot convention is shown in Fig. 22.27 for the series coils in Figs. 22.25 and 22.26.

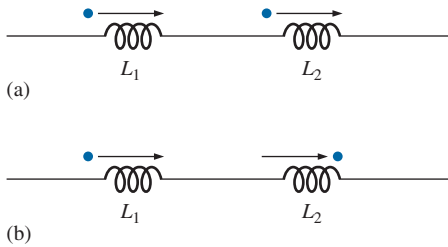


FIG. 22.27

Dot convention for the series coils in (a) Fig. 22.25 and (b) Fig. 22.26.

If the current through *each* of the mutually coupled coils is going away from (or toward) the dot as it *passes through the coil*, the mutual term will be positive, as shown for the case in Fig 22.27(a). If the arrow indicating current direction through the coil is leaving the dot for one coil and entering the dot for the other, the mutual term is negative.

A few possibilities for mutually coupled transformer coils are indicated in Fig. 22.28(a). The sign of M is indicated for each. When determining the sign, be sure to examine the current direction within the coil itself. In Fig. 22.28(b), one direction is indicated outside for one coil and through for the other. It initially may appear that the sign should be positive since both currents enter the dot, but the current *through* coil 1 is leaving the dot; hence a negative sign is in order.

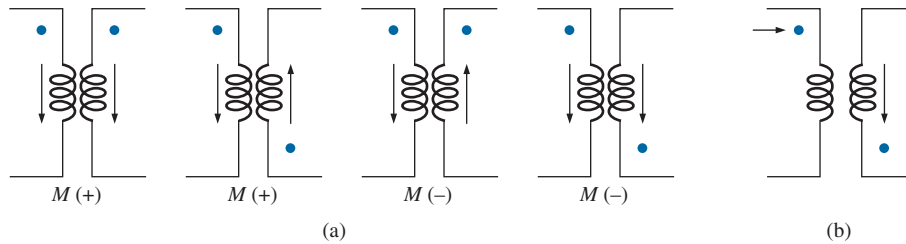


FIG. 22.28

Defining the sign of M for mutually coupled transformer coils.

The dot convention also reveals the polarity of the *induced* voltage across the mutually coupled coil. If the reference direction for the current *in* a coil leaves the dot, the polarity at the dot for the induced voltage of the mutually coupled coil is positive. In the first two figures in Fig. 22.28(a), the polarity at the dots of the induced voltages is positive. In the third figure in Fig. 22.28(a), the polarity at the dot of the right coil is negative, while the polarity at the dot of the left coil is positive, since the current enters the dot (within the coil) of the right coil. The comments for the third figure in Fig. 22.28(a) can also be applied to the last figure in Fig. 22.28(a).

EXAMPLE 22.8 Find the total inductance of the series coils in Fig. 22.29.

Solution:

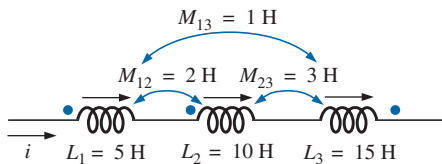


FIG. 22.29

Example 22.8.

Current vectors leave dot.

Coil 1: $L_1 + M_{12} - M_{13}$

One current vector enters dot, while one leaves.

Coil 2: $L_2 + M_{12} - M_{23}$

Coil 3: $L_3 - M_{23} - M_{13}$



and

$$\begin{aligned} L_T &= (L_1 + M_{12} - M_{13}) + (L_2 + M_{12} - M_{23}) + (L_3 - M_{23} - M_{13}) \\ &= L_1 + L_2 + L_3 + 2M_{12} - 2M_{23} - 2M_{13} \end{aligned}$$

Substituting values, we find

$$\begin{aligned} L_T &= 5 \text{ H} + 10 \text{ H} + 15 \text{ H} + 2(2 \text{ H}) - 2(3 \text{ H}) - 2(1 \text{ H}) \\ &= 34 \text{ H} - 8 \text{ H} = \mathbf{26 \text{ H}} \end{aligned}$$

EXAMPLE 22.9 Write the mesh equations for the transformer network in Fig. 22.30.

Solution: For each coil, the mutual term is positive, and the sign of M in $\mathbf{X}_m = \omega M \angle 90^\circ$ is positive, as determined by the direction of \mathbf{I}_1 and \mathbf{I}_2 . Thus,

$$\mathbf{E}_1 - \mathbf{I}_1 R_1 - \mathbf{I}_1 X_{L_1} \angle 90^\circ - \mathbf{I}_2 X_m \angle 90^\circ = 0$$

$$\text{or} \quad \mathbf{E}_1 - \mathbf{I}_1 (R_1 + j X_{L_1}) - \mathbf{I}_2 X_m \angle 90^\circ = 0$$

For the other loop,

$$-\mathbf{I}_2 X_{L_2} \angle 90^\circ - \mathbf{I}_1 X_m \angle 90^\circ - \mathbf{I}_2 R_L = 0$$

$$\text{or} \quad \mathbf{I}_2 (R_L + j X_{L_2}) - \mathbf{I}_1 X_m \angle 90^\circ = 0$$

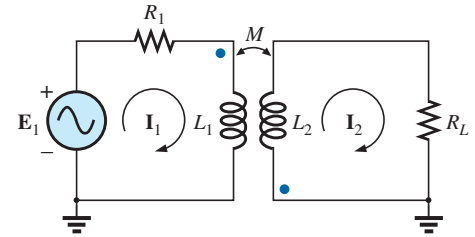


FIG. 22.30
Example 22.9.

22.9 AIR-CORE TRANSFORMER

As the name implies, the air-core transformer does not have a ferromagnetic core to link the primary and secondary coils. Rather, the coils are placed sufficiently close to have a mutual inductance that establishes the desired transformer action. In Fig. 22.31, current direction and polarities have been defined for the air-core transformer. Note the presence of a mutual inductance term M , which is positive in this case, as determined by the dot convention.

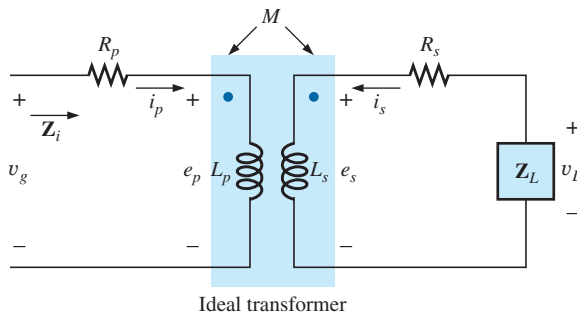


FIG. 22.31
Air-core transformer equivalent circuit.

From past analysis in this chapter, we now know that

$$e_p = L_p \frac{di_p}{dt} + M \frac{di_s}{dt} \quad (22.30)$$

for the primary circuit.



We found in Chapter 11 that for the pure inductor, with no mutual inductance present, the mathematical relationship

$$v_1 = L \frac{di_1}{dt}$$

resulted in the following useful form of the voltage across an inductor:

$$\mathbf{V}_1 = \mathbf{I}_1 X_L \angle 90^\circ \quad \text{where } X_L = \omega L$$

Similarly, it can be shown, for a mutual inductance, that

$$v_1 = M \frac{di_2}{dt}$$

results in

$$\mathbf{V}_1 = \mathbf{I}_2 X_m \angle 90^\circ \quad \text{where } X_m = \omega M \quad (22.31)$$

Eq. (22.30) can then be written (using phasor notation) as

$$\mathbf{E}_p = \mathbf{I}_p X_{L_p} \angle 90^\circ + \mathbf{I}_s X_m \angle 90^\circ \quad (22.32)$$

and $\mathbf{V}_g = \mathbf{I}_p R_p \angle 0^\circ + \mathbf{I}_p X_{L_p} \angle 90^\circ + \mathbf{I}_s X_m \angle 90^\circ$

or $\mathbf{V}_g = \mathbf{I}_p (R_p + j X_{L_p}) + \mathbf{I}_s X_m \angle 90^\circ \quad (22.33)$

For the secondary circuit,

$$\mathbf{E}_s = \mathbf{I}_s X_{L_s} \angle 90^\circ + \mathbf{I}_p X_m \angle 90^\circ \quad (22.34)$$

and $\mathbf{V}_L = \mathbf{I}_s R_s \angle 0^\circ + \mathbf{I}_s X_{L_s} \angle 90^\circ + \mathbf{I}_p X_m \angle 90^\circ$

or $\mathbf{V}_L = \mathbf{I}_s (R_s + j X_{L_s}) + \mathbf{I}_p X_m \angle 90^\circ \quad (22.35)$

Substituting $\mathbf{V}_L = -\mathbf{I}_s \mathbf{Z}_L$

into Eq. (22.35) results in

$$0 = \mathbf{I}_s (R_s + j X_{L_s} + \mathbf{Z}_L) + \mathbf{I}_p X_m \angle 90^\circ$$

Solving for \mathbf{I}_s , we have

$$\mathbf{I}_s = \frac{-\mathbf{I}_p X_m \angle 90^\circ}{R_s + j X_{L_s} + \mathbf{Z}_L}$$

and, substituting into Eq. (22.33), we obtain

$$\mathbf{V}_g = \mathbf{I}_p (R_p + j X_{L_p}) + \left(\frac{-\mathbf{I}_p X_m \angle 90^\circ}{R_s + j X_{L_s} + \mathbf{Z}_L} \right) X_m \angle 90^\circ$$

Thus, the input impedance is

$$\mathbf{Z}_i = \frac{\mathbf{V}_g}{\mathbf{I}_p} = R_p + j X_{L_p} - \frac{(X_m \angle 90^\circ)^2}{R_s + j X_{L_s} + \mathbf{Z}_L}$$

or, defining

$$\mathbf{Z}_p = R_p + j X_{L_p} \quad \mathbf{Z}_s = R_s + j X_{L_s} \quad \text{and} \quad X_m \angle 90^\circ = +j \omega M$$



we have

$$\mathbf{Z}_i = \mathbf{Z}_p - \frac{(+j\omega M)^2}{\mathbf{Z}_s + \mathbf{Z}_L}$$

and

$$\mathbf{Z}_i = \mathbf{Z}_p - \frac{(\omega M)^2}{\mathbf{Z}_s + \mathbf{Z}_L} \quad (22.36)$$

The term $(\omega M)^2/(\mathbf{Z}_s + \mathbf{Z}_L)$ is called the *coupled impedance*, and it is independent of the sign of M since it is squared in the equation. Consider also that since $(\omega M)^2$ is a constant with 0° phase angle, if the load \mathbf{Z}_L is resistive, the resulting coupled impedance term appears capacitive due to division of $(\mathbf{Z}_s + R_L)$ into $(\omega M)^2$. This resulting capacitive reactance opposes the series primary inductance L_p , causing a reduction in \mathbf{Z}_i . Including the effect of the mutual term, the input impedance to the network appears as shown in Fig. 22.32.

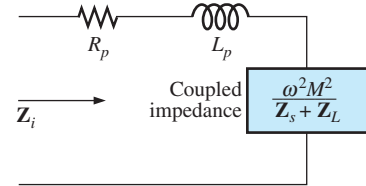


FIG. 22.32

Input characteristics for the air-core transformer.

EXAMPLE 22.10 Determine the input impedance to the air-core transformer in Fig. 22.33.

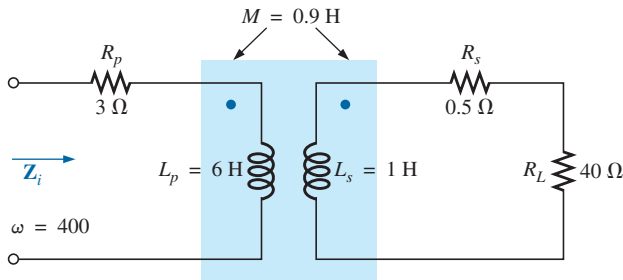


FIG. 22.33

Example 22.10.

Solution:

$$\begin{aligned} \mathbf{Z}_i &= \mathbf{Z}_p + \frac{(\omega M)^2}{\mathbf{Z}_s + \mathbf{Z}_L} \\ &= R_p + jX_{L_p} + \frac{(\omega M)^2}{R_s + jX_{L_s} + R_L} \\ &= 3 \Omega + j2.4 \text{ k}\Omega + \frac{((400 \text{ rad/s})(0.9 \text{ H}))^2}{0.5 \Omega + j400 \Omega + 40 \Omega} \\ &\cong j2.4 \text{ k}\Omega + \frac{129.6 \times 10^3 \Omega}{40.5 + j400} \\ &= j2.4 \text{ k}\Omega + \underbrace{322.4 \Omega \angle -84.22^\circ}_{\text{capacitive}} \\ &= j2.4 \text{ k}\Omega + (0.0325 \text{ k}\Omega - j0.3208 \text{ k}\Omega) \\ &= 0.0325 \text{ k}\Omega + j(2.40 - 0.3208) \text{ k}\Omega \end{aligned}$$

and $\mathbf{Z}_i = R_i + jX_{L_i} = 32.5 \Omega + j2079 \Omega = 2079.25 \Omega \angle 89.10^\circ$



22.10 NAMEPLATE DATA

A typical iron-core power transformer rating, included in the **nameplate data** for the transformer, might be the following:

$$5 \text{ kVA} \quad 2000/100 \text{ V} \quad 60 \text{ Hz}$$

The 2000 V or the 100 V can be either the primary or the secondary voltage; that is, if 2000 V is the primary voltage, then 100 V is the secondary voltage, and vice versa. The 5 kVA is the apparent power ($S = VI$) rating of the transformer. If the secondary voltage is 100 V, then the maximum load current is

$$I_L = \frac{S}{V_L} = \frac{5000 \text{ VA}}{100 \text{ V}} = 50 \text{ A}$$

and if the secondary voltage is 2000 V, then the maximum load current is

$$I_L = \frac{S}{V_L} = \frac{5000 \text{ VA}}{2000 \text{ V}} = 2.5 \text{ A}$$

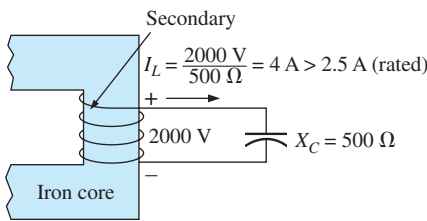


FIG. 22.34

Demonstrating why transformers are rated in kVA rather than kW.

The transformer is rated in terms of the apparent power rather than the average, or real, power for the reason demonstrated by the circuit in Fig. 22.34. Since the current through the load is greater than that determined by the apparent power rating, the transformer may be permanently damaged. Note, however, that since the load is purely capacitive, the average power to the load is zero. The wattage rating is therefore meaningless regarding the ability of this load to damage the transformer.

The transformation ratio of the transformer under discussion can be either of two values. If the secondary voltage is 2000 V, the transformation ratio is $a = N_p/N_s = V_g/V_L = 100 \text{ V}/2000 \text{ V} = 1/20$, and the transformer is a step-up transformer. If the secondary voltage is 100 V, the transformation ratio is $a = N_p/N_s = V_g/V_L = 2000 \text{ V}/100 \text{ V} = 20$, and the transformer is a step-down transformer.

The rated primary current can be determined by applying Eq. (22.18):

$$I_p = \frac{I_s}{a}$$

which is equal to $[2.5 \text{ A}/(1/20)] = 50 \text{ A}$ if the secondary voltage is 2000 V, and $(50 \text{ A}/20) = 2.5 \text{ A}$ if the secondary voltage is 100 V.

To explain the necessity for including the frequency in the nameplate data, consider Eq. (22.12):

$$E_p = 4.44f_p N_p \Phi_m$$

and the B - H curve for the iron core of the transformer (Fig. 22.35).

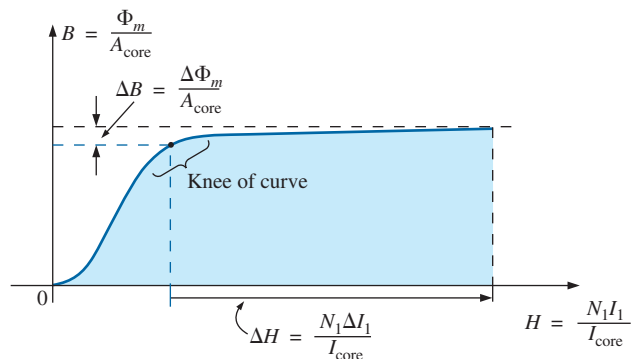


FIG. 22.35

Demonstrating why the frequency of application is important for transformers.



The point of operation on the B - H curve for most transformers is at the knee of the curve. If the frequency of the applied signal drops, and N_p and E_p remain the same, then Φ_m must increase in magnitude, as determined by Eq. (22.12):

$$\Phi_m \uparrow = \frac{E_p}{4.44 f_p \downarrow N_p}$$

The result is that B increases, as shown in Fig. 22.35, causing H to increase also. The resulting ΔI could cause a very high current in the primary, resulting in possible damage to the transformer.

22.11 TYPES OF TRANSFORMERS

Transformers are available in many different shapes and sizes. Some of the more common types include the power transformer, audio transformer, IF (intermediate frequency) transformer, and RF (radio frequency) transformer. Each is designed to fulfill a particular requirement in a specific area of application. The symbols for some of the basic types of transformers are shown in Fig. 22.36.

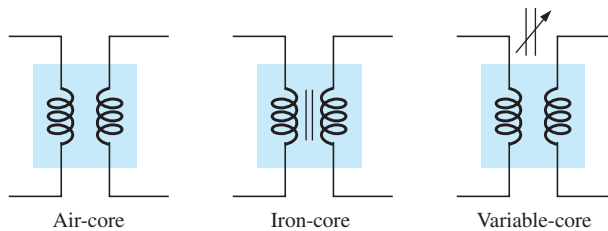


FIG. 22.36
Transformer symbols.

The method of construction varies from one transformer to another. Two of the many different ways in which the primary and secondary coils can be wound around an iron core are shown in Fig. 22.37. In either case, the core is made of laminated sheets of ferromagnetic material separated by an insulator to reduce the eddy current losses. The sheets themselves also contain a small percentage of silicon to increase the electrical resistivity of the material and further reduce the eddy current losses.

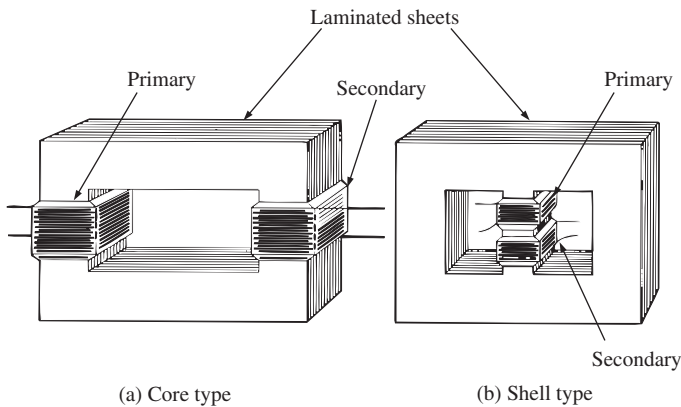


FIG. 22.37
Types of ferromagnetic core construction.

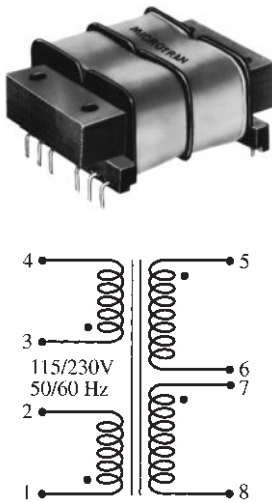


FIG. 22.38

Split bobbin, low-profile power transformer.
(Courtesy of Microtran Company, Inc.)

A variation of the core-type transformer appears in Fig. 22.38. This transformer is designed for low-profile (the 2.5 VA size has a maximum height of only 0.65 in.) applications in power, control, and instrumentation applications. There are actually two transformers on the same core, with the primary and secondary of each wound side by side. The schematic representation appears in the same figure. Each set of terminals on the left can accept 115 V at 50 or 60 Hz, whereas each side of the output provides 230 V at the same frequency. Note the dot convention, as described earlier in the chapter.

The **autotransformer** [Fig. 22.39(b)] is a type of power transformer that, instead of employing the two-circuit principle (complete isolation between coils), has one winding common to both the input and the output circuits. The induced voltages are related to the turns ratio in the same manner as that described for the two-circuit transformer. If the proper connection is used, a two-circuit power transformer can be used as an autotransformer. The advantage of using it as an autotransformer is that a larger apparent power can be transformed. This can be demonstrated by the two-circuit transformer of Fig. 22.39(a), shown in Fig. 22.39(b) as an autotransformer.

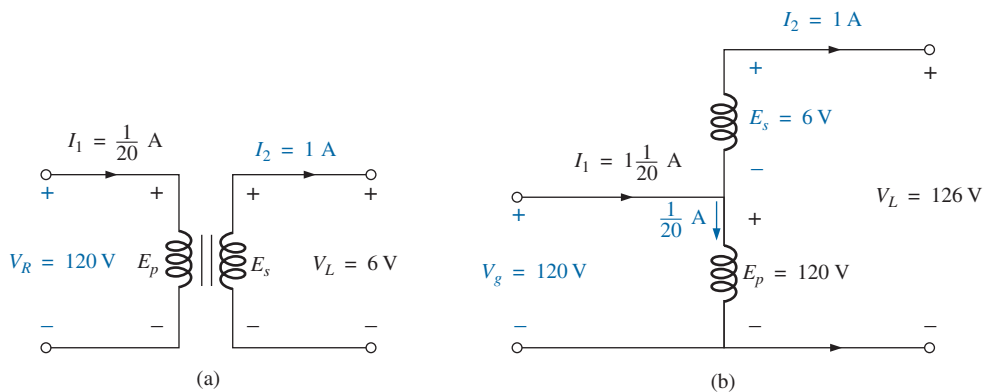


FIG. 22.39

(a) *Two-circuit transformer;* (b) *autotransformer.*

For the two-circuit transformer, note that $S = (\frac{1}{20} \text{ A})(120 \text{ V}) = 6 \text{ VA}$, whereas for the autotransformer, $S = (1\frac{1}{20} \text{ A})(120 \text{ V}) = 126 \text{ VA}$, which is many times that of the two-circuit transformer. Note also that the current and voltage of each coil are the same as those for the two-circuit configuration. The disadvantage of the autotransformer is obvious: loss of the isolation between the primary and secondary circuits.

A pulse transformer designed for printed-circuit applications where high-amplitude, long-duration pulses must be transferred without saturation appears in Fig. 22.40. Turns ratios are available from 1 : 1 to 5 : 1 at maximum line voltages of 240 V rms at 60 Hz. The upper unit is for printed-circuit applications with isolated dual primaries, whereas the lower unit is the bobbin variety with a single primary winding.

Two miniature ($\frac{1}{4}$ in. by $\frac{1}{4}$ in.) transformers with plug-in or insulated leads appear in Fig. 22.41, along with their schematic representations. Power ratings of 100 mW or 125 mW are available with a variety of turns ratios, such as 1 : 1, 5 : 1, 9.68 : 1, and 25 : 1.

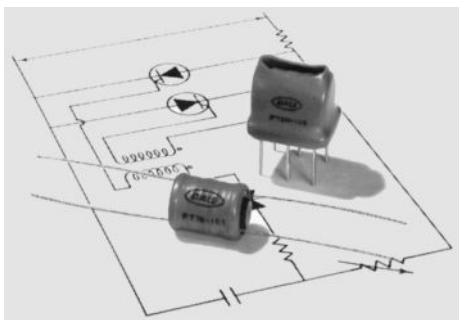


FIG. 22.40

Pulse transformers.
(Courtesy of DALE Electronics, Inc.)

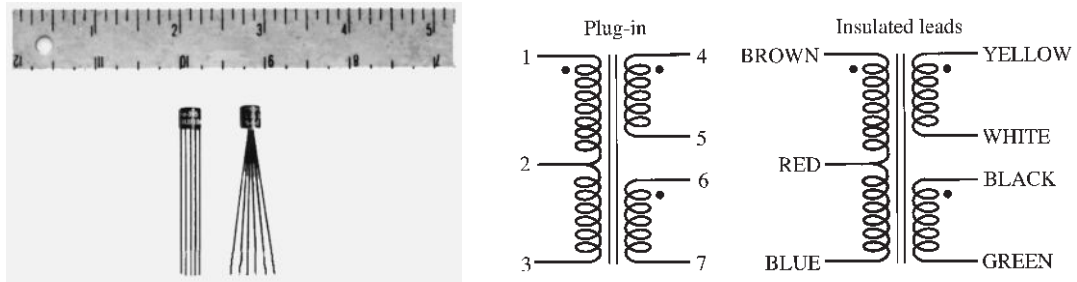


FIG. 22.41
Miniature transformers.
(Courtesy of PICO Electronics, Inc.)

22.12 TAPPED AND MULTIPLE-LOAD TRANSFORMERS

For the **center-tapped** (primary) transformer in Fig. 22.42, where the voltage from the center tap to either outside lead is defined as $E_p/2$, the relationship between E_p and E_s is

$$\frac{E_p}{E_s} = \frac{N_p}{N_s} \tag{22.37}$$

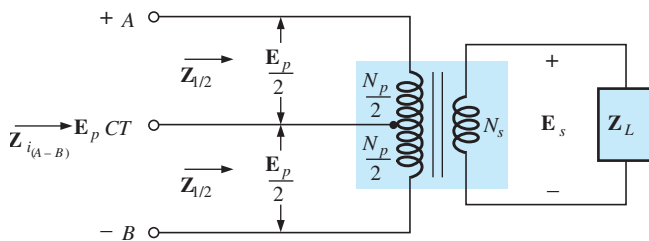


FIG. 22.42
Ideal transformer with a center-tapped primary.

For each half-section of the primary,

$$Z_{1/2} = \left(\frac{N_p/2}{N_s}\right)^2 Z_L = \frac{1}{4} \left(\frac{N_p}{N_s}\right)^2 Z_L$$

with $Z_{i(A-B)} = \left(\frac{N_p}{N_s}\right)^2 Z_L$

Therefore, $Z_{1/2} = \frac{1}{4} Z_i$ **(22.38)**

For the **multiple-load transformer** in Fig. 22.43, the following equations apply:

$$\frac{E_i}{E_2} = \frac{N_1}{N_2} \quad \frac{E_i}{E_3} = \frac{N_1}{N_3} \quad \frac{E_2}{E_3} = \frac{N_2}{N_3} \tag{22.39}$$

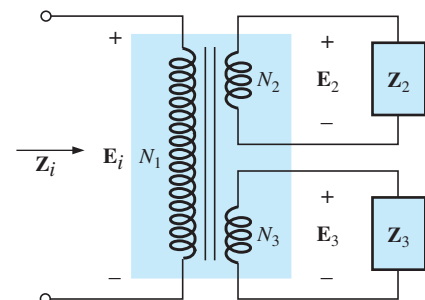


FIG. 22.43
Ideal transformer with multiple loads.

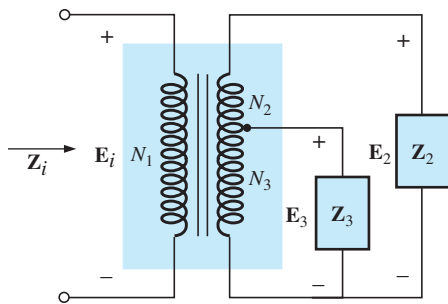


FIG. 22.44

Ideal transformer with a tapped secondary and multiple loads.

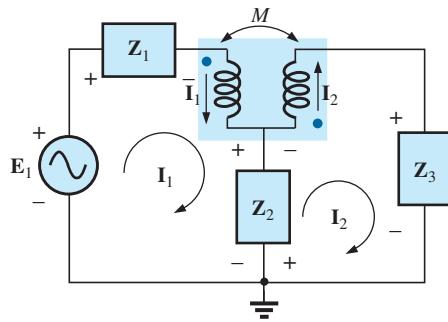


FIG. 22.45

Applying mesh analysis to magnetically coupled coils.

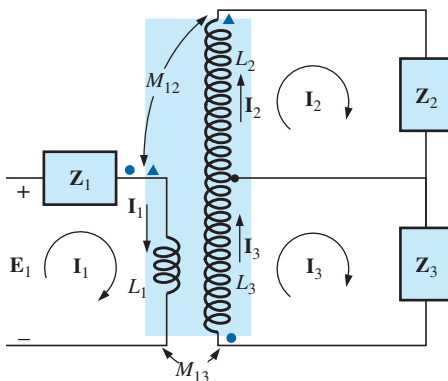


FIG. 22.46

Applying mesh analysis to a network with two magnetically coupled coils.

The total input impedance can be determined by first noting that, for the ideal transformer, the power delivered to the primary is equal to the power dissipated by the load; that is,

$$P_1 = P_{L_2} + P_{L_3}$$

and, for resistive loads ($Z_i = R_i$, $Z_2 = R_2$, and $Z_3 = R_3$),

$$\frac{E_i^2}{R_i} = \frac{E_2^2}{R_2} + \frac{E_3^2}{R_3}$$

or, since $E_2 = \frac{N_2}{N_1}E_i$ and $E_3 = \frac{N_3}{N_1}E_i$

then $\frac{E_i^2}{R_i} = \frac{[(N_2/N_1)E_i]^2}{R_2} + \frac{[(N_3/N_1)E_i]^2}{R_3}$

and $\frac{E_i^2}{R_i} = \frac{E_i^2}{(N_1/N_2)^2 R_2} + \frac{E_i^2}{(N_1/N_3)^2 R_3}$

Thus,
$$\frac{1}{R_i} = \frac{1}{(N_1/N_2)^2 R_2} + \frac{1}{(N_1/N_3)^2 R_3} \tag{22.40}$$

indicating that the load resistances are reflected in parallel.

For the configuration in Fig. 22.44, with E_2 and E_3 defined as shown, Eqs. (22.39) and (22.40) are applicable.

22.13 NETWORKS WITH MAGNETICALLY COUPLED COILS

For multiloop networks with magnetically coupled coils, the mesh-analysis approach is most frequently applied. A firm understanding of the dot convention discussed earlier should make the writing of the equations quite direct and free of errors. Before writing the equations for any particular loop, first determine whether the mutual term is positive or negative, keeping in mind that it will have the same sign as that for the other magnetically coupled coil. For the two-loop network in Fig. 22.45, for example, the mutual term has a positive sign since the current through each coil leaves the dot. For the primary loop,

$$E_1 - I_1 Z_1 - I_1 Z_{L_1} - I_2 Z_m - Z_2(I_1 - I_2) = 0$$

where M of $Z_m = \omega M \angle 90^\circ$ is positive, and

$$I_1(Z_1 + Z_{L_1} + Z_2) - I_2(Z_2 - Z_m) = E_1$$

Note in the above that the mutual impedance was treated as if it were an additional inductance in series with the inductance L_1 having a sign determined by the dot convention and the voltage across which is determined by the current in the magnetically coupled loop.

For the secondary loop,

$$-Z_2(I_2 - I_1) - I_2 Z_{L_2} - I_1 Z_m - I_2 Z_3 = 0$$

or
$$I_2(Z_2 + Z_{L_2} + Z_3) - I_1(Z_2 - Z_m) = 0$$

For the network in Fig. 22.46, we find a mutual term between L_1 and L_2 and L_1 and L_3 , labeled M_{12} and M_{13} , respectively.

For the coils with the dots (L_1 and L_3), since each current through the coils leaves the dot, M_{13} is positive for the chosen direction of I_1 and I_3 .



However, since the current I_1 leaves the dot through L_1 , and I_2 enters the dot through coil L_2 , M_{12} is negative. Consequently, for the input circuit,

$$\mathbf{E}_1 - \mathbf{I}_1 \mathbf{Z}_1 - \mathbf{I}_1 \mathbf{Z}_{L_1} - \mathbf{I}_2(-\mathbf{Z}_{m_{12}}) - \mathbf{I}_3 \mathbf{Z}_{m_{13}} = 0$$

or
$$\mathbf{E}_1 - \mathbf{I}_1(\mathbf{Z}_1 + \mathbf{Z}_{L_1}) + \mathbf{I}_2 \mathbf{Z}_{m_{12}} - \mathbf{I}_3 \mathbf{Z}_{m_{13}} = 0$$

For loop 2,

$$-\mathbf{I}_2 \mathbf{Z}_2 - \mathbf{I}_2 \mathbf{Z}_{L_2} - \mathbf{I}_1(-\mathbf{Z}_{m_{12}}) = 0$$

$$-\mathbf{I}_1 \mathbf{Z}_{m_{12}} + \mathbf{I}_2(\mathbf{Z}_2 + \mathbf{Z}_{L_2}) = 0$$

and for loop 3,

$$-\mathbf{I}_3 \mathbf{Z}_3 - \mathbf{I}_3 \mathbf{Z}_{L_3} - \mathbf{I}_1 \mathbf{Z}_{m_{13}} = 0$$

or
$$\mathbf{I}_1 \mathbf{Z}_{m_{13}} + \mathbf{I}_3(\mathbf{Z}_3 + \mathbf{Z}_{L_3}) = 0$$

In determinant form,

$$\mathbf{I}_1(\mathbf{Z}_1 + \mathbf{Z}_{L_1}) - \mathbf{I}_2 \mathbf{Z}_{m_{12}} + \mathbf{I}_3 \mathbf{Z}_{m_{13}} = \mathbf{E}_1$$

$$-\mathbf{I}_1 \mathbf{Z}_{m_{12}} + \mathbf{I}_2(\mathbf{Z}_2 + \mathbf{Z}_{L_2}) + 0 = 0$$

$$\mathbf{I}_1 \mathbf{Z}_{m_{13}} + 0 + \mathbf{I}_3(\mathbf{Z}_3 + \mathbf{Z}_{L_3}) = 0$$

22.14 APPLICATIONS

The transformer has appeared throughout the text in a number of described applications, from the basic dc supply to the soldering gun to the flyback transformer of a simple flash camera. Transformers were used to increase or decrease the voltage or current level, to act as an impedance matching device, or in some cases to play a dual role of transformer action and reactive element. They are so common in such a wide variety of systems that it is important to become very familiar with their general characteristics. For most applications, transformer design can be considered 100% efficient. That is, the power applied is the power delivered to the load. In general, however, transformers are frequently the largest element of a design and because of the nonlinearity of the B - H curve can cause some distortion of the transformed waveform. Therefore, they are useful only in situations where the applied voltage is changing with time. The application of a dc voltage to the primary results in 0 V at the secondary, but the application of a voltage that changes with time, no matter what its general appearance, results in a voltage on the secondary. Remember that even though it can provide isolation between the primary and secondary circuits, a transformer can transform the load impedance to the primary circuit at a level that can significantly impact on the behavior of the network. Even the smallest impedance in the secondary can be made to appear very large in the primary when a step-down transformer is used.

Transformers, like every other component you may use, have power ratings. The larger the power rating, the larger the resulting transformer, primarily because of the larger conductors in the windings to handle the current. The size of a transformer is also a function of the frequency involved. The lower the frequency, the larger the required transformer, as easily recognized by the size of large power transformers (also affected by the current levels as mentioned above). For the same power level, the higher the frequency of transformation, the smaller the transformer can be. Because of eddy current and hysteresis losses in a transformer, the design of the core is quite important. A solid core would introduce high levels of such losses, whereas a core constructed of sheets of high-permeability steel with the proper insulation between the sheets would reduce the losses significantly.



Although very fundamental in their basic structure, transformers are recognized as one of the major building blocks of electrical and electronic systems. There isn't a publication on new components published that does not include a new design for the variety of applications developing every day.

Low-Voltage Compensation

At times during the year, peak demands from the power company can result in a reduced voltage down the line. In midsummer, for example, the line voltage may drop from 120 V to 100 V because of the heavy load often due primarily to air conditioners. However, air conditioners do not run as well under low-voltage conditions, so the following option using an autotransformer may be the solution.

In Fig. 22.47(a), an air conditioner drawing 10 A at 120 V is connected through an autotransformer to the available supply that has dropped to 100 V. Assuming 100% efficiency, the current drawn from the line would have to be 12 A to ensure that $P_i = P_o = 1200$ W. Using the analysis introduced in Section 22.11, we find that the current in the primary winding is 2 A with 10 A in the secondary. The 12 A exist only in the line connecting the source to the primary. If the voltage level is increased using the traditional step-up transformer shown in Fig. 22.47(b), the same currents result at the source and load. However, note that the current through the primary is now 12 A which is 6 times that in the autotransformer. The result is that the winding in the autotransformer can be much thinner due to the significantly lower current level.

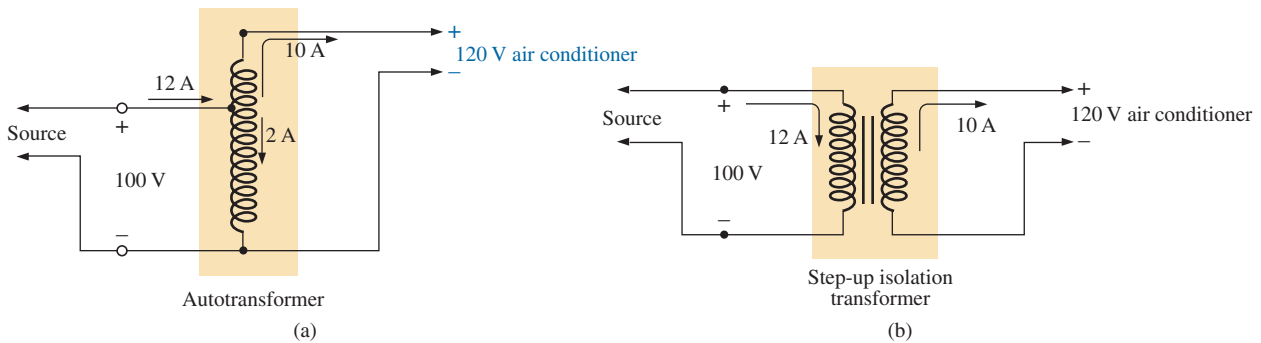


FIG. 22.47

Maintaining a 120 V supply for an air conditioner: (a) using an autotransformer; (b) using a traditional step-up transformer.

Let us now examine the turns ratio required and the number of turns involved for each setup (associating one turn with each volt of the primary and secondary).

For the autotransformer:

$$\frac{N_s}{N_p} = \frac{V_s}{V_p} = \frac{10 \text{ V}}{100 \text{ V}} \Rightarrow \frac{10 \text{ t}}{100 \text{ t}}$$

For the traditional transformer:

$$\frac{N_s}{N_p} = \frac{V_s}{V_p} = \frac{120 \text{ V}}{100 \text{ V}} \Rightarrow \frac{120 \text{ t}}{100 \text{ t}}$$

In total, therefore, the autotransformer has only 10 turns in the secondary, whereas the traditional has 120. For the autotransformer, we need only 10 turns of heavy wire to handle the current of 10 A, not the full 120 required for the traditional transformer. In addition, the total number of



turns for the autotransformer is 110 compared to 220 for the traditional transformer.

The net result of all the above is that even though the protection offered by the isolation feature is lost, the autotransformer can be much smaller in size and weight and, therefore, less costly.

Ballast Transformer

Until just recently, all fluorescent lights like those in Fig. 22.48(a) had a ballast transformer as shown in Fig. 22.48(b). In many cases, its weight alone is almost equal to that of the fixture itself. In recent years, a solid-state equivalent transformer has been developed that in time will replace most of the ballast transformers.

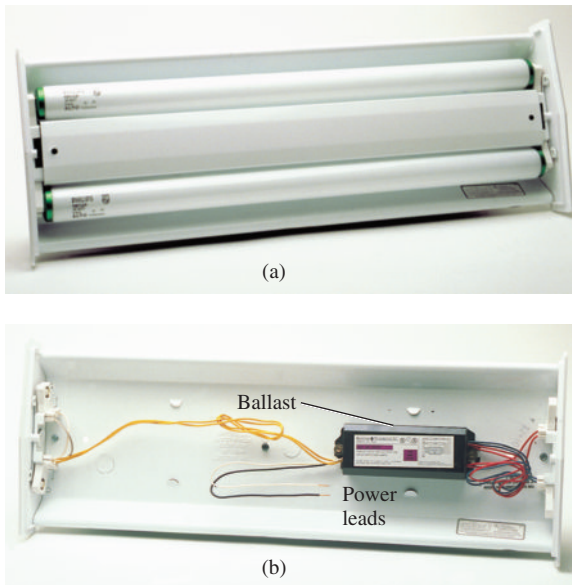


FIG. 22.48

Fluorescent lamp: (a) general appearance; (b) internal view with ballast.

The basic connections for a single-bulb fluorescent light are provided in Fig. 22.49(a). Note that the transformer is connected as an autotransformer with the full applied 120 V across the primary. When the switch is closed, the applied voltage and the voltage across the secondary will add and establish a current through the filaments of the fluorescent bulb. The starter is initially a short circuit to establish the continuous path through the two filaments. In older fluorescent bulbs, the starter was a cylinder with two contacts, as shown in Fig. 22.49(b), which had to be replaced on occasion. It sat right under the fluorescent bulb near one of the bulb connections. Now, as shown by the sketch of the inside of a ballast transformer in Fig. 22.49(c), the starter is now commonly built into the ballast and can no longer be replaced. The voltage established by the autotransformer action is sufficient to heat the filaments but not light the fluorescent bulb. The fluorescent lamp is a long tube with a coating of fluorescent paint on the inside. It is filled with an inert gas and a small amount of liquid mercury. The distance between the electrodes at the ends of the lamp is too much for the applied autotransformer voltage to establish conduction. To overcome this problem, the filaments are first heated as described above to convert the mercury (a good conductor)

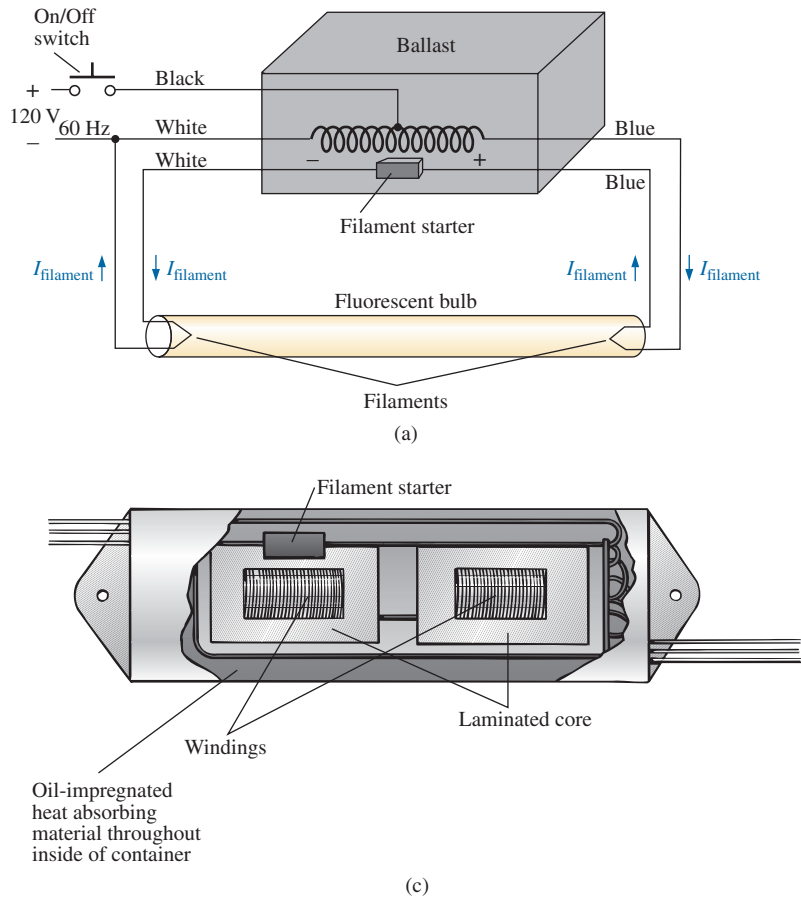


FIG. 22.49

(a) Schematic of single-bulb fluorescent lamp; (b) starter; (c) internal view of ballast transformer.

from a liquid to a gas. Conduction can then be established by the application of a large potential across the electrodes. This potential is established when the starter (a thermal switch that opens when it reaches a particular temperature) opens and causes the inductor current to drop from its established level to zero amperes. This quick drop in current establishes a very high spike in voltage across the coils of the autotransformer as determined by $v_L = L(di_L/dt)$. This significant spike in voltage also appears across the bulb and establishes current between the electrodes. Light is then given off as the electrons hit the fluorescent surface on the inside of the tube. It is the persistence of the coating that helps hide the oscillation in conduction level due to the low-frequency (60 Hz) power that can result in a flickering light. The starter remains open until the next time the bulb is turned on. The flow of charge between electrodes is then maintained solely by the voltage across the autotransformer. This current is relatively low in magnitude because of the reactance of the secondary winding in the resulting series circuit. In other words, the autotransformer has shifted to one that is now providing a reactance to the secondary circuit to limit the current through the bulb. Without this limiting factor, the current through the bulb would be too high, and the bulb would quickly burn out. This action of the coils of the transformer generating the required voltage and then acting as a coil to limit the current has resulted in the general terminology of *swinging choke*.



The fact that the light is not generated by an IR drop across a filament of a bulb is the reason fluorescent lights are so energy efficient. In fact, in an incandescent bulb, about 75% of the applied energy is lost in heat, with only 25% going to light emission. In a fluorescent bulb, more than 70% goes to light emission and 30% to heat losses. As a rule of thumb, the lighting from a 40 W fluorescent lamp [such as the unit in Fig. 22.48(a) with its two 20 W bulbs] is equivalent to that of a 100 W incandescent bulb.

One other interesting difference between incandescent and fluorescent bulbs is the method of determining whether they are good or bad. For the incandescent light, it is immediately obvious when it fails to give light at all. For the fluorescent bulb, however, assuming that the ballast is in good working order, the bulb begins to dim as its life wears on. The electrodes become coated and less efficient, and the coating on the inner surface begins to deteriorate.

Rapid-start fluorescent lamps are different in operation only in that the voltage generated by the transformer is sufficiently large to atomize the gas upon application and initiate conduction, thereby removing the need for a starter and eliminating the warm-up time of the filaments. In time, the solid-state ballast will probably be the unit of choice because of its quick response, higher efficiency, and lighter weight, but the transition will take some time. The basic operation will remain the same, however.

Because of the fluorine gas (hence the name *fluorescent* bulb) and the mercury in fluorescent lamps, they must be discarded with care. Ask your local disposal facility where to take bulbs. Breaking them for insertion in a plastic bag could be very dangerous. If you happen to break a bulb and get cut in the process, go immediately to a medical facility since you could sustain fluorine or mercury poisoning.

22.15 COMPUTER ANALYSIS

PSpice

Transformer (Controlled Sources) The simple transformer configuration in Fig. 22.50 is now investigated using controlled sources to mimic the behavior of the transformer as defined by its basic voltage and current relationships.

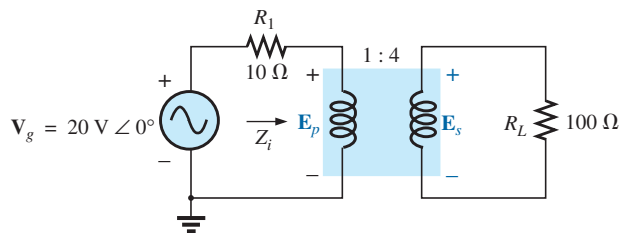


FIG. 22.50

Applying PSpice to a step-up transformer.

For comparison purposes, a theoretical solution of the network yields the following:

$$\begin{aligned} Z_i &= a^2 Z_L \\ &= \left(\frac{1}{4}\right)^2 100 \Omega \\ &= 6.25 \Omega \end{aligned}$$



and
$$E_p = \frac{(6.25 \Omega)(20 \text{ V})}{6.25 \Omega + 10 \Omega} = 7.692 \text{ V}$$

with
$$E_s = \frac{1}{a} E_p = \frac{1}{(1/4)} (7.692 \text{ V}) = 4(7.692 \text{ V}) = 30.77 \text{ V}$$

and
$$V_L = E_s = \mathbf{30.77 \text{ V}}$$

For the ideal transformer, the secondary voltage is defined by $E_s = N_s/N_p(E_p)$ which is $E_s = 4E_p$ for the network in Fig. 22.50. The fact that the magnitude of one voltage is controlled by another requires that we use the **Voltage-Controlled Voltage Source (VCVS)** source in the **ANALOG** library. It appears as **E** in the **Parts List** and has the format appearing in Fig. 22.51. The sensing voltage is **E1**, and the controlled voltage appears across the two terminals of the circular symbol for a voltage source. Double-click on the source symbol to set the **GAIN** to 4 for this example. Note in Fig. 22.51 that the sensing voltage is the primary voltage of the circuit in Fig. 22.50, and the output voltage is connected directly to the load resistor **RL**. There is no real problem making the necessary connections because of the format of the **E** source.

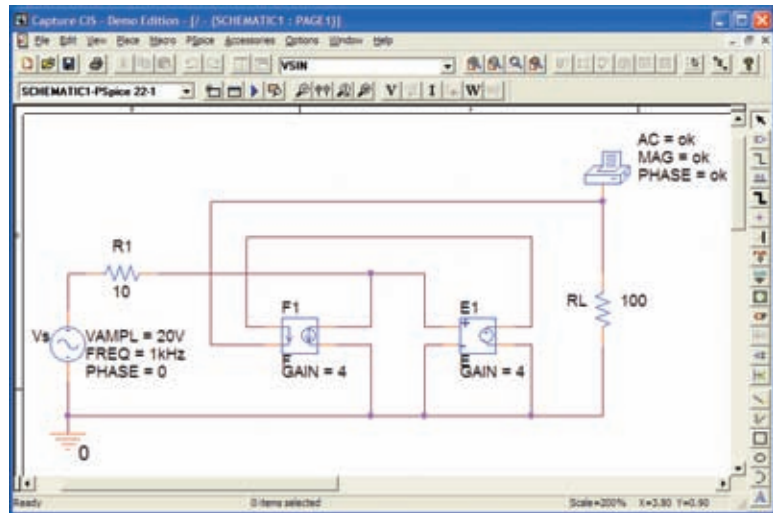


FIG. 22.51

Using PSpice to determine the magnitude and phase angle for the load voltage of the network in Fig. 22.50.

The next step is to set up the current relationship for the transformer. Since the magnitude of one current is controlled by the magnitude of another current in the same configuration, a **Current-Controlled Current Source (CCCS)** must be employed. It also appears in the **ANALOG** library under the **Parts List** as **F** and has the format appearing in Fig. 22.51. Note that both currents have a direction associated with them. For the ideal transformer, $I_p = N_s/N_p (I_s)$ which is $I_p = 4I_s$ for the network in Fig. 22.50. The gain for the part can be set using the same procedure defined for the **E** source. Since the secondary current is the controlling current, its level must be fed into the **F** source in the same direction as indicated in the controlled source. When making this connection, be sure to click the wire in location before crossing the wire of the primary circuit and then clicking it again after crossing the wire. If you do this properly, a connection point indicated by a small red dot will not appear. The controlled current I_{R_1} can be connected as shown because the connection



E1 is only sensing a voltage level, essentially has infinite impedance, and can be looked upon as an open circuit. In other words, the current through **R1** will be the same as through the controlled source of **F**.

A simulation was set up with **AC Sweep** and 1 kHz for the **Start** and **End Frequencies**. One data point per decade was selected, and the simulation was initiated. After the **SCHEMATIC1** screen appeared, the window was exited, and **PSpice-View Output File** was selected to result in the **AC ANALYSIS** solution of Fig. 22.52. Note that the voltage is 30.77 V, which is an exact match with the theoretical solution.

```
** Profile: "SCHEMATIC1-PSpice 22-1" | C:\C11\PSpice\pspice 22-1-
pspicefiles\schematic1\PSpice 22-1.sim ]
*** AC ANALYSIS TEMPERATURE = 27.000 DEG C
*****
FREQ VM(N01850) VP(N01850)
1.000E+03 3.077E+01 0.000E+00
```

FIG. 22.52

The output file for the analysis indicated in Fig. 22.51.

Transformer (Library) The same network can be analyzed by choosing one of the transformers from the **EVAl** library as shown in Fig. 22.53. Choose the transformer labeled **K3019PL_3C8**, and place the proper attributes in the **Property Editor** dialog box. The only three required are **COUPLING** set at 1, **L1_TURNS** set at 1, and **L2_TURNS** set at 4. In the **Simulation Settings**, choose **AC Sweep** and use **1MEGHz** for both the **Start and End Frequency** because it was found that it acts as an almost ideal transformer at this frequency—a little bit of run and test. When the simulation is run, the results under **PSpice-View Output File** appear as shown in Fig. 22.54—almost an exact match with the theoretical solution of 30.77 V.

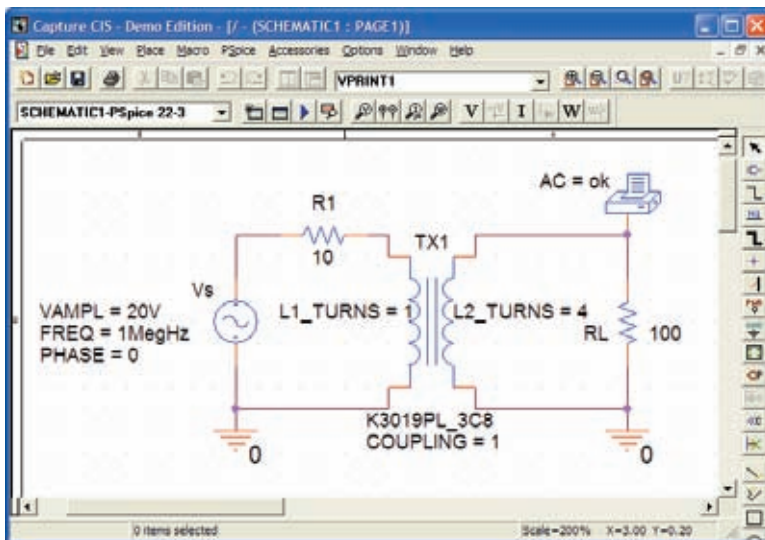


FIG. 22.53

*Using a transformer provided in the **EVAl** library to analyze the network in Fig. 22.50.*



```

** Profile: "SCHEMATIC1-PSpice 22-3" [ C:\ICAT\PSpice\PSpice 22-3-
PSpiceFiles\SCHEMATIC1\PSpice 22-3.sim ]

**** AC ANALYSIS TEMPERATURE = 27.000 DEG C

*****

FREQ      VM(N00524)
1.000E+06  3.072E+01
    
```

FIG. 22.54

The output file for the analysis indicated in Fig. 22.53

Multisim

Transformer(Library) Multisim is now used to analyze the same transformer configuration just investigated using PSpice. In Fig. 22.55, obtain the source by first selecting **Place Source** to open the **Select a Component** dialog box. Select **SIGNAL_VOLTAGE** followed by **AC_VOLTAGE** and click **OK**. For the source, peak values are set, hence the difference in the set value in Fig. 22.55 and the rms multimeter reading. Obtain the transformer by selecting **Place Basic-Family-BASIC_VIRTUAL-TS_VIRTUAL**. Then select the turns ratio of 2 to open the **BASIC_VIRTUAL** dialog box. Change the **Primary-to-Secondary Turns Ratio**: to 0.25 for this example.

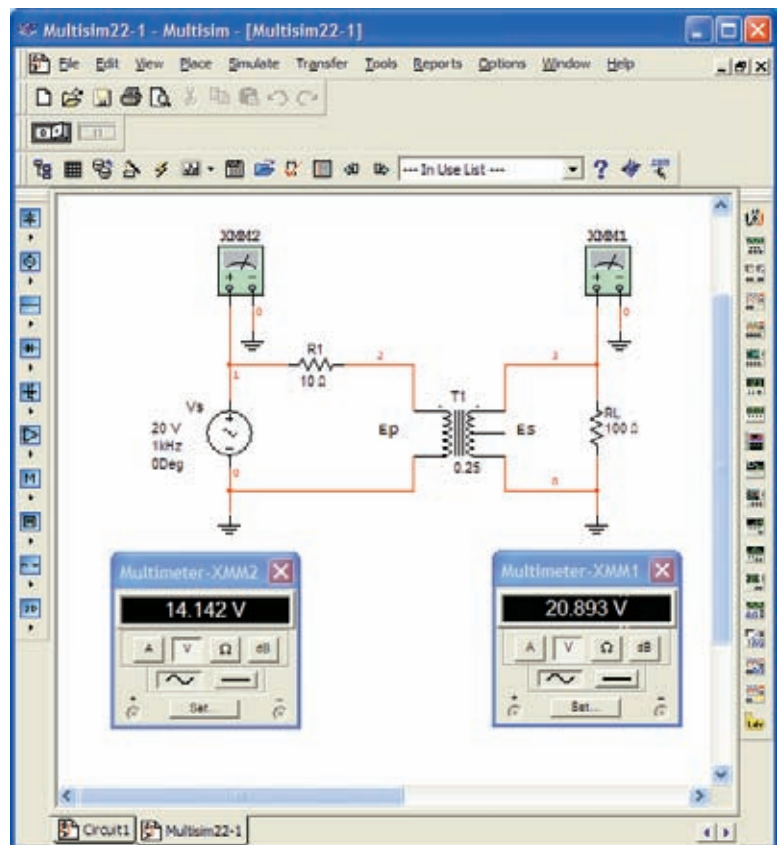


FIG. 22.55



The rest of the configuration is constructed using techniques described earlier. A simulation results in the meter displays in Fig. 22.55. Changing the rms reading of 20.893 V to a peak value results in 29.54 V which is a close match to that obtained using PSpice.

PROBLEMS

SECTION 22.2 Mutual Inductance

- For the air-core transformer in Fig. 22.56:
 - Find the value of L_s if the mutual inductance M is equal to 80 mH.
 - Find the induced voltages e_p and e_s if the flux linking the primary coil changes at the rate of 0.08 Wb/s.
 - Find the induced voltages e_p and e_s if the current i_p changes at the rate of 0.3 A/ms.

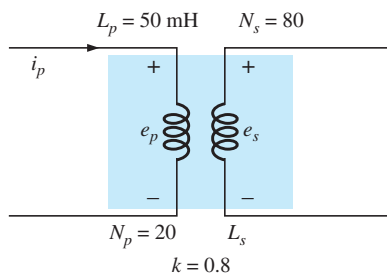


FIG. 22.56

Problems 1, 2, and 3.

- Repeat Problem 1 if k is changed to 1.
 - Repeat Problem 1 if k is changed to 0.2.
 - Compare the results of parts (a) and (b).
- Repeat Problem 1 for $k = 0.9$, $N_p = 300$ turns, and $N_s = 25$ turns.

SECTION 22.3 The Iron-Core Transformer

- For the iron-core transformer ($k = 1$) in Fig. 22.57:
 - Find the magnitude of the induced voltage E_s .
 - Find the maximum flux Φ_m .

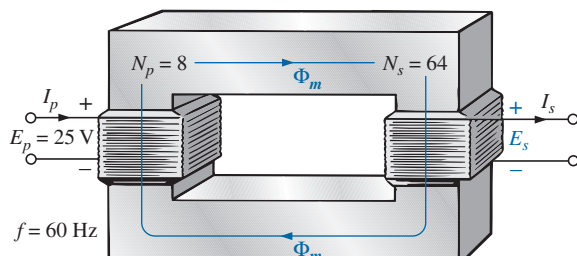


FIG. 22.57

Problems 4, 5, and 7.

- Repeat Problem 4 for $N_p = 240$ and $N_s = 30$.
- Find the applied voltage of an iron-core transformer if the secondary voltage is 240 V, and $N_p = 60$ with $N_s = 720$.
- If the maximum flux passing through the core of Problem 4 is 12.5 mWb, find the frequency of the input voltage.

SECTION 22.4 Reflected Impedance and Power

- For the iron-core transformer in Fig. 22.58:
 - Find the magnitude of the current I_L and the voltage V_L if $a = 1/5$, $I_p = 2$ A, and $Z_L = 2 \Omega$ resistor.
 - Find the input resistance for the data specified in part (a).

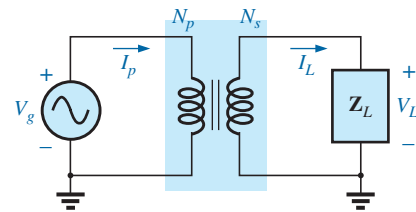


FIG. 22.58

Problems 8 through 12.

- Find the input impedance for the iron-core transformer of Fig. 22.58 if $a = 2$, $I_p = 4$ A, and $V_g = 1600$ V.
- Find the voltage V_g and the current I_p if the input impedance of the iron-core transformer in Fig. 22.58 is 4Ω , and $V_L = 1200$ V and $a = 1/4$.
- If $V_L = 240$ V, $Z_L = 20 \Omega$ resistor, $I_p = 0.05$ A, and $N_s = 50$, find the number of turns in the primary circuit of the iron-core transformer in Fig. 22.58.
- If $N_p = 400$, $N_s = 1200$, and $V_g = 100$ V, find the magnitude of I_p for the iron-core transformer in Fig. 22.58 if $Z_L = 9 \Omega + j 12 \Omega$.
 - Find the magnitude of the voltage V_L and the current I_L for the conditions of part (a).

SECTION 22.5 Impedance Matching, Isolation, and Displacement

- For the circuit in Fig. 22.59, find the transformation ratio required to deliver maximum power to the speaker.
 - Find the maximum power delivered to the speaker.

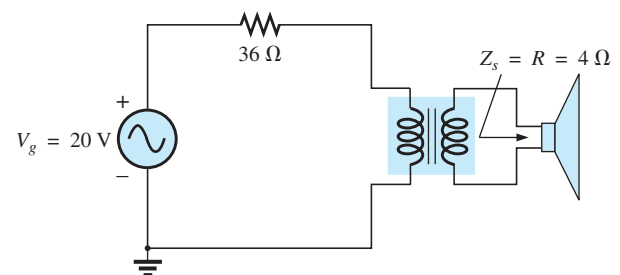


FIG. 22.59

Problem 13.



SECTION 22.6 Equivalent Circuit (Iron-Core Transformer)

14. For the transformer in Fig. 22.60, determine
 - a. the equivalent resistance R_e .
 - b. the equivalent reactance X_e .
 - c. the equivalent circuit reflected to the primary.
 - d. the primary current for $V_g = 50 \text{ V } \angle 0^\circ$.
 - e. the load voltage V_L .
 - f. the phasor diagram of the reflected primary circuit.
 - g. the new load voltage if we assume the transformer to be ideal with a 4 : 1 turns ratio. Compare the result with that of part (e).

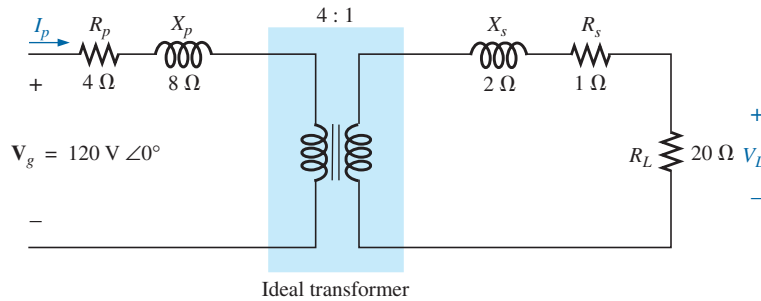


FIG. 22.60

Problems 14 through 16, 30, and 31.

15. For the transformer in Fig. 22.60, if the resistive load is replaced by an inductive reactance of 20Ω :
 - a. Determine the total reflected primary impedance.
 - b. Calculate the primary current, I_p .
 - c. Determine the voltage across R_e and X_e , and find the reflected load.
 - d. Draw the phasor diagram.
16. Repeat Problem 15 for a capacitive load having a reactance of 20Ω .

SECTION 22.7 Frequency Considerations

17. Discuss in your own words the frequency characteristics of the transformer. Use the applicable equivalent circuit and frequency characteristics appearing in this chapter.

SECTION 22.8 Series Connection of Mutually Coupled Coils

18. Determine the total inductance of the series coils in Fig. 22.61.
19. Determine the total inductance of the series coils in Fig. 22.62.

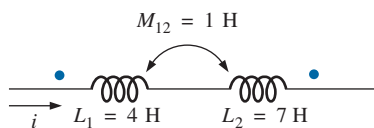


FIG. 22.61
Problem 18.

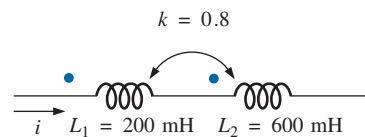


FIG. 22.62
Problem 19.



20. Determine the total inductance of the series coils in Fig. 22.63.

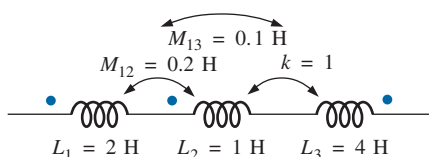


FIG. 22.63
Problem 20.

21. Write the mesh equations for the network in Fig. 22.64.

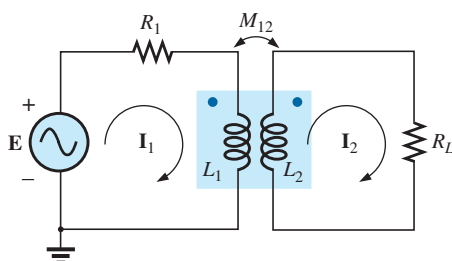


FIG. 22.64
Problem 21.

SECTION 22.9 Air-Core Transformer

22. Determine the input impedance to the air-core transformer in Fig. 22.65. Sketch the reflected primary network.

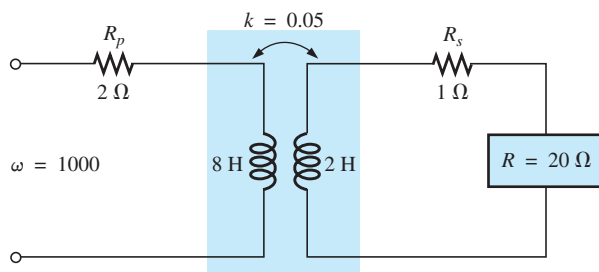


FIG. 22.65
Problems 22 and 32.

SECTION 22.10 Nameplate Data

23. An ideal transformer is rated 10 kVA, 2400/120 V, 60 Hz.
- Find the transformation ratio if the 120 V is the secondary voltage.
 - Find the current rating of the secondary if the 120 V is the secondary voltage.
 - Find the current rating of the primary if the 120 V is the secondary voltage.
 - Repeat parts (a) through (c) if the 2400 V is the secondary voltage.

SECTION 22.11 Types of Transformers

24. Determine the primary and secondary voltages and currents for the autotransformer in Fig. 22.66.

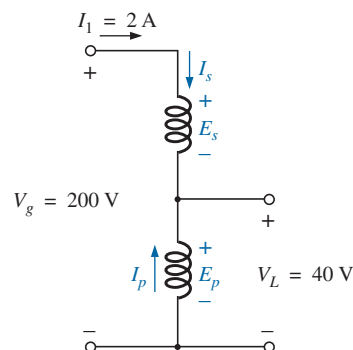


FIG. 22.66
Problem 24.

SECTION 22.12 Tapped and Multiple-Load Transformers

25. For the center-tapped transformer in Fig. 22.42 where $N_p = 100$, $N_s = 25$, $Z_L = R \angle 0^\circ = 5 \Omega \angle 0^\circ$, and $E_p = 100 \text{ V} \angle 0^\circ$.
- Determine the load voltage and current.
 - Find the impedance Z_i .
 - Calculate the impedance $Z_{1/2}$.
26. For the multiple-load transformer in Fig. 22.43 where $N_1 = 90$, $N_2 = 15$, $N_3 = 45$, $Z_2 = R_2 \angle 0^\circ = 8 \Omega \angle 0^\circ$, $Z_3 = R_L \angle 0^\circ = 5 \Omega \angle 0^\circ$, and $E_i = 60 \text{ V} \angle 0^\circ$:
- Determine the load voltages and currents.
 - Calculate Z_1 .
27. For the multiple-load transformer in Fig. 22.44 where $N_1 = 120$, $N_2 = 40$, $N_3 = 30$, $Z_2 = R_2 \angle 0^\circ = 12 \Omega \angle 0^\circ$, $Z_3 = R_3 \angle 0^\circ = 10 \Omega \angle 0^\circ$, and $E_1 = 120 \text{ V} \angle 60^\circ$:
- Determine the load voltages and currents.
 - Calculate Z_1 .

SECTION 22.13 Networks with Magnetically Coupled Coils

28. Write the mesh equations for the network in Fig. 22.67.

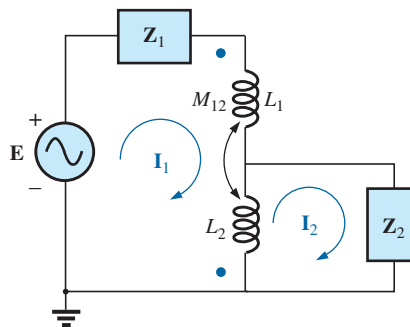


FIG. 22.67
Problem 28.



29. Write the mesh equations for the network in Fig. 22.68.

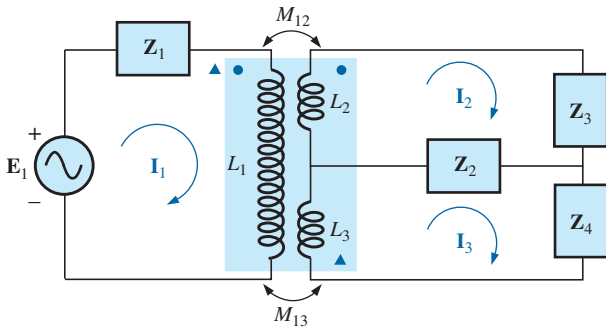


FIG. 22.68
Problem 29.

SECTION 22.15 Computer Analysis

PSpice or Multisim

- *30. Generate the schematic for the network in Fig. 22.60, and find the voltage V_L .
- *31. Develop a technique using PSpice or Multisim to find the input impedance at the source for the network in Fig. 22.60.
- *32. Using a transformer from the library, find the load voltage for the network in Fig. 22.65 for an applied voltage of $40\text{ V} \angle 0^\circ$.

GLOSSARY

Autotransformer A transformer with one winding common to both the primary and the secondary circuits. A loss in isolation is balanced by the increase in its kilovolt-ampere rating.

Coefficient of coupling (k) A measure of the magnetic coupling of two coils that ranges from a minimum of 0 to a maximum of 1.

Dot convention A technique for labeling the effect of the mutual inductance on a net inductance of a network or system.

Leakage flux The flux linking the coil that does not pass through the ferromagnetic path of the magnetic circuit.

Loosely coupled A term applied to two coils that have a low coefficient of coupling.

Multiple-load transformers Transformers having more than a single load connected to the secondary winding or windings.

Mutual inductance The inductance that exists between magnetically coupled coils of the same or different dimensions.

Nameplate data Information such as the kilovolt-ampere rating, voltage transformation ratio, and frequency of application that is of primary importance in choosing the proper transformer for a particular application.

Primary The coil or winding to which the source of electrical energy is normally applied.

Reflected impedance The impedance appearing at the primary of a transformer due to a load connected to the secondary. Its magnitude is controlled directly by the transformation ratio.

Secondary The coil or winding to which the load is normally applied.

Step-down transformer A transformer whose secondary voltage is less than its primary voltage. The transformation ratio a is greater than 1.

Step-up transformer A transformer whose secondary voltage is greater than its primary voltage. The magnitude of the transformation ratio a is less than 1.

Tapped transformer A transformer having an additional connection between the terminals of the primary or secondary windings.

Transformation ratio (a) The ratio of primary to secondary turns of a transformer.